



Attachments

*Increase your productivity*



**PRICE LIST ATTACHMENTS**

Cod. B000731014\_Rev. 00\_22/09/20

## EUROCOMACH ATTACHMENTS

Eurocomach Attachments is represented by a team of reliable consultants who are always ready to satisfy the needs of our worldwide customers.

With over forty years of experience in earth-moving and as producers of mini-excavators and compact loaders since the early 90s, today we are able to offer a wide range of equipment constantly evolving. With this additional service we offer a range of products tailored to machines used in branches that are also very different from one another: earth moving, forestry, demolition and recycling.





MULCHERS 4

DEMOLITION BREAKERS 30

WOOD GRAPPLES 34

SORTING GRAPPLES 40

AUGERS 44



MIXING BUCKETS 48

SWEEPER BUCKETS 52

PALLET FORKS 56

PLANERS 60

WHEEL SAWS 70



LOADING RAMPS 86



# MULCHERS

FOR EXCAVATORS 1.5 - 25.0 Ton





# THE PRODUCT RANGE

## EXCAVATORS 1.5 - 6.0 Ton

Weight of machine	1.5 - 2.0 Ton			2.1 - 4.0 Ton					
Model	TTE 60 SL	TTE 80 SL	TTE 60 L	TTE 60 SL	TTE 80 SL	TTE 60 L	TTE 80 L	TTE 60 R	TTE 80 R
A	83	100	95	83	100	95	115	85	105
B	50	50	55	50	50	55	55	80	80
C	35	35	45	35	35	45	45	60	60
Useful cut (cm)	60	80	60	60	80	60	80	60	80
Carcase (cm)	65	83	75	65	83	75	95	73	93
Weight (kg)	70	80	130	70	80	130	150	180	245
Oil min (l/min)	17-28	17-28	17-28-40	17-28	17-28	17-28-40	28-40	20-30	30
Min/Max (bar)	170-220	170-220	170-220	170-220	170-220	170-220	170-220	170-220	170-220
Rotor	4 rows	4 rows	Helical 2 P	4 rows	4 rows	Helical 2 P	Helical 2 P	Helical 2 P	Helical 2 P
Transmission	Direct	Direct	Direct	Direct	Direct	Direct	Direct	Belt no. 2	Belt no. 2
Cylinder capacity	8-11.5-16	8-11.5-16	8-11.5-16	8-11.5-16	8-11.5-16	8-11.5-16	11.5-16	11.5-16	16
Blade	Y40X6 F12	Y40X6 F12	Y40X8 articulated	Y40X6 F12	Y40X6 F12	Y40X8 articulated	Y40X8 articulated	On request	On request
Mallet	-	-	On request	-	-	On request	On request	Mallet	Mallet
	Page 10-11	Page 10-11	Page 12-13	Page 10-11	Page 10-11	Page 12-13	Page 12-13	Page 16-17	Page 16-17

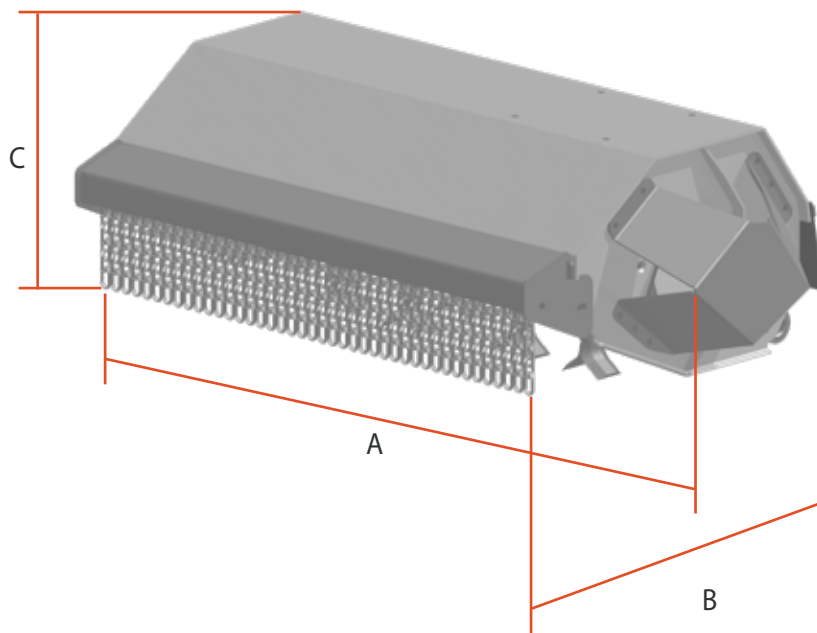
Weight of machine	4.1 - 5.0 Ton				
Model	TTE 100 L	TTE 100 P	TTE 120 P	TTE 60 R	TTE 80 R
A	130	125	145	85	105
B	60	75	75	80	80
C	40	50	50	60	60
Useful cut (cm)	100	100	120	60	80
Carcase (cm)	110	110	130	73	93
Weight (kg)	190	220	250	180	245
Oil min (l/min)	40-50	50-65-80	50-65-80	20-30	30
Min/Max (bar)	170-220	200-220	200-220	170-220	170-220
Rotor	Helical 2 P	Helical 2 P	Helical 2 P	Helical 2 P	Helical 2 P
Transmission	Direct	Direct	Direct	Belt no. 2	Belt no. 2
Cylinder capacity	16-22	22-26-33	22-26-33	11.5-16	16
Blade	Y40X8 articulated	On request	On request	On request	On request
Mallet	On request	Mallet	Mallet	Mallet	Mallet
	Page 14-15	Page 18-19	Page 18-19	Page 16-17	Page 16-17



# THE PRODUCT RANGE

## EXCAVATORS 1.5 - 6.0 Ton

Weight of machine	5.1 - 6.0 Ton							
Model	TTE 100 L	TTE 100 P	TTE 120 P	TTE 60 R	TTE 80 R	TTE 100 R	TTE 80 RF	TTE 100 RF
A	130	125	145	85	105	125	105	125
B	60	75	75	80	80	80	80	80
C	40	50	50	60	60	60	60	60
Useful cut (cm)	100	100	120	60	80	100	80	100
Carcase (cm)	110	110	130	73	93	110	93	110
Weight (kg)	190	220	250	180	245	310	300	360
Oil min (l/min)	40-50	50-65-80	50-65-80	20-30	30	40-50-60-80-90	40-50-60	40-50-60-80-90
Min/Max (bar)	170-220	200-220	200-220	170-220	170-220	200-220	200-220	200-220
Rotor	Helical 2 P	Helical 2 P	Helical 2 P	Helical 2 P	Helical 2 P	Helical 2 P	Flanged forestry cutter	Flanged forestry cutter
Transmission	Direct	Direct	Direct	Belt no. 2	Belt no. 2	Belt n. 3	Belt n. 3	Belt n. 3
Cylinder capacity	16-22	22-26-33	22-26-33	11.5-16	16	22-26-33-44-52	22-26-33	22-26-33-44-52
Blade	Y40X8 articulated	On request	On request	On request	On request	On request	-	-
Mallet	On request	Mallet	Mallet	Mallet	Mallet	Mallet	Mallet rotating 360°	Mallet rotating 360°
	Page 14-15	Page 18-19	Page 18-19	Page 16-17	Page 16-17	Page 16-17	Page 20-21	Page 20-21



# THE PRODUCT RANGE

## EXCAVATORS 6.1 - 25.0 Ton

Weight of machine	6.1 - 8.0 Ton		
Model	TTE 100 R	TTE 80 RF	TTE 100 RF
A	125	105	125
B	80	80	80
C	60	60	60
Useful cut (cm)	100	80	100
Carcase (cm)	110	93	110
Weight (kg)	310	300	360
Oil min (l/min)	40-50-60-80-90	40-50-60	40-50-60-80-90
Min/Max (bar)	200-220	200-220	200-220
Rotor	Helical 2 P	Forestry	Forestry
Transmission	Belt no. 3	Belt no. 3	Belt no. 3
Cylinder capacity	22-26-33-44-52	22-26-33	22-26-33-44-52
Blade	On request	-	-
Mallet	Mallet	Mallet rotating 360°	Mallet rotating 360°
	Page 16-17	Page 20-21	Page 20-21

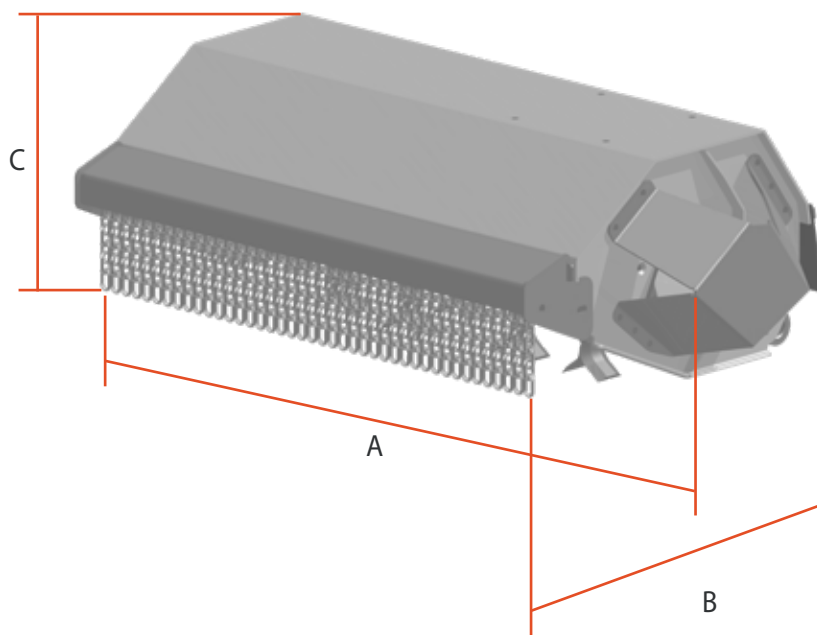
Weight of machine	8.1 - 10.0 (Ton)						
Model	TTE 100 R	TTE 80 RF	TTE 100 RF	TTE 100 PR	TTE 120 PR	TTE 100 PRF	TTE 120 PRF
A	125	105	125	125	145	125	145
B	80	80	80	95	95	95	95
C	60	60	60	85	85	85	85
Useful cut (cm)	100	80	100	100	120	100	120
Carcase (cm)	110	93	110	110	130	110	130
Weight (kg)	310	300	360	480	540	535	595
Oil min (l/min)	40-50-60-80-90	40-50-60	40-50-60-80-90	50-70-80-100	50-70-80-100	70-80-100	70-80-100
Min/Max (bar)	200-220	200-220	200-220	200-220	200-220	200-220	200-220
Rotor	Helical 2 P	Flanged forestry cutter	Flanged forestry cutter	Helical 2 P	Helical 2 P	Flanged forestry cutter	Flanged forestry cutter
Transmission	Belt no. 3	Belt no. 3	Belt no. 3	Toothed belt H50	Toothed belt H50	Toothed belt H50	Toothed belt H50
Cylinder capacity	22-26-33-44-52	22-26-33	22-26-33-44-52	33-44-52-62	33-44-52-62	44-52-62	44-52-62
Blade	On request	-	-	On request	On request	-	-
Mallet	Mallet	Mallet rotating 360°	Mallet rotating 360°	Mallet	Mallet	Mallet rotating 360°	Mallet rotating 360°
	Page 16-17	Page 20-21	Page 20-21	Page 22-23	Page 22-23	Page 24-25	Page 24-25



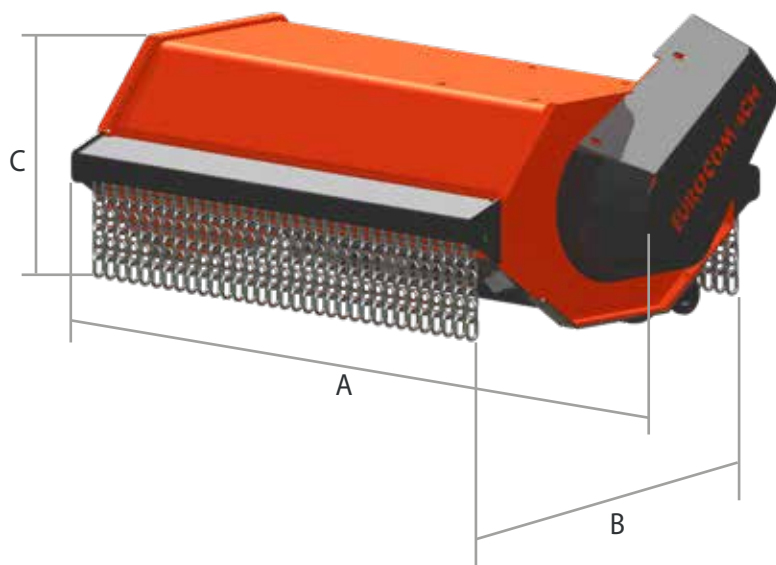
# THE PRODUCT RANGE

## EXCAVATORS 6.1 - 25.0 Ton

Weight of machine	10.1 - 16.0 (Ton)					16.0 - 25.0 (Ton)
Model	TTE 100 PR	TTE 120 PR	TTE 100 PRF	TTE 120 PRF	TTE 160 L	TTE 130 PDF
A	125	145	125	145	185	165
B	95	95	95	95	100	95
C	85	85	85	85	70	88
Useful cut (cm)	100	120	100	120	130	130
Carcase (cm)	110	130	110	130	170	135
Weight (kg)	480	540	535	595	420	1,050
Oil min (l/min)	50-70-80-100	50-70-80-100	70-80-100	70-80-100	90	130
Min/Max (bar)	200-220	200-220	200-220	200-220	200-220	250
Rotor	Helical 2 P	Helical 2 P	Flanged forestry cutter	Flanged forestry cutter	Helical 2 P	Helical 3 P
Transmission	Toothed belt H50	Toothed belt H50	Toothed belt H50	Toothed belt H50	Toothed belt H55	Toothed belt H55
Cylinder capacity	33-44-52-62	33-44-52-62	44-52-62	44-52-62	51	80
Blade	On request	On request	-	-	On request	Fixed Widia teeth
Mallet	Mallet	Mallet	Mallet rotating 360°	Mallet rotating 360°	Mallet	
	Page 22-23	Page 22-23	Page 24-25	Page 24-25	Page 26-27	Page 28-29



Model	TTE 60 SL	TTE 80 SL
Excavator (ton)	1.5-4.0	1.5-4.0
A	83	100
B	50	50
C	35	35
Useful cut (cm)	60	80
Carcase (cm)	65	83
Weight (kg)	70	80
Oil min (l/min)	17-28	17-28
Min/Max (bar)	170-220	170-220
Rotor	4 rows	4 rows
Transmission	Direct	Direct
Cylinder capacity	8-11.5	8-11.5
Blade	Y40X6 F12	Y40X6 F12
Mallet	-	-
Price	€ 1,985.00	€ 2,120.00



**TTE 60 SL** and **TTE 80 SL** have the following technical specifications and standard equipment:

- Direct transmission.
- Internal double carcass hood with cavity.
- Symmetrical shredder for faster cutting with the rotation of the excavator.
- Completely identical inlets and outlets.
- Motor cover protection.
- 4-row rotor with blades.
- Internal rotor supports with labyrinth to protect the bearings from impurities.
- Rotor ball bearings with double crown.
- Anti-cavitation valve.
- Gear motor with cast iron flange and drain.
- Accident prevention protections according to CE standard.

M1F 3 cm



# MULCHERS

## TTE 60 SL - TTE 80 SL

1.5 - 4.0 t

### ACCESSORIES:

#### Valve block:

Including priority for oil flow regulation, shock-proof (max pressure valve), anti-cavitation.

Excavator (ton)	Max. pressure (bar)	Oil max (l/min)	Connections (inches)	Price
1.5-4.0	210	60	1/2"	€ 350.00

#### Self-levelling rocker:

Convertible in fixed and rotating version.

Excavator (ton)	Weight	Price
1.5-4.0	+30 kg	€ 350.00

#### Pipe kit length 1800 mm:

Excavator (ton)	Connections (inches)	Price	Testing and assembly (at Sampierana)
1.5-4.0	1/2"	€ 110.00	€ 297,00

#### Type of quick coupler:

Excavator (ton)	Price with adapter with pins	Price with adapter for quick coupler
1.5-4.0	€ 295,00	€ 446,00

#### Support roller:

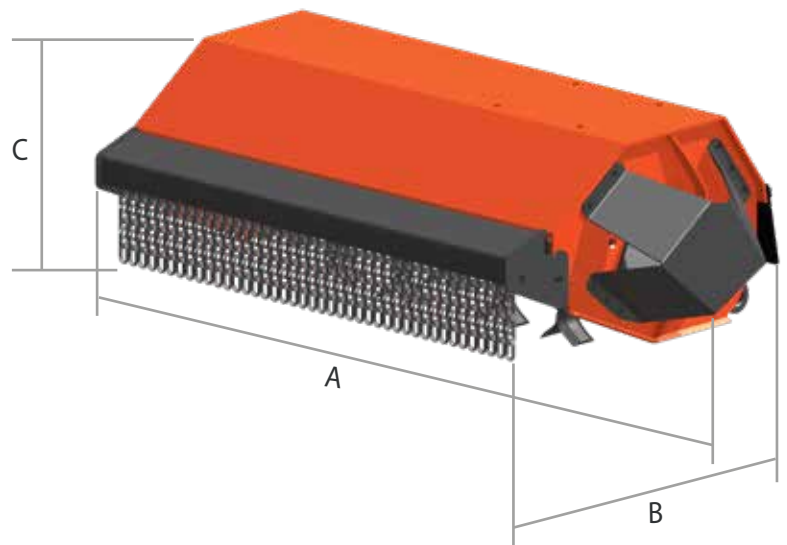
Excavator (ton)	Price
1.5-4.0	€ 350.00

The prices shown do not include VAT and transport.





Model	TTE 60 L	TTE 80 L
Excavator (ton)	1.5-4.0	2.1-4.0
A	95	115
B	55	55
C	45	45
Useful cut (cm)	60	80
Carcase (cm)	75	95
Weight (kg)	130	150
Oil min (l/min)	17-28-40	28-40
Min/Max (bar)	170-220	170-220
Rotor	Helical 2 P	Helical 2 P
Transmission	Direct	Direct
Cylinder capacity	8-11.5-16	11.5-16
Blade	Y40X8 articulated	Y40X8 articulated
Mallet	On request	On request
Price	€ 2,950.00	€ 3,245.00



**TTE 60 L** and **TTE 80 L** feature the following technical specifications and standard equipment:

- Direct transmission.
- Internal double carcass hood with cavity.
- Motor cover protection.
- Support roller adjustable in 3 positions to change the cutting height.
- Helical rotor with M5A blades interchangeable with M8B mallet version.
- Internal rotor supports with labyrinth to protect the bearings from impurities.
- Rotor ball bearings with double crown.
- Anti-cavitation valve.
- Gear motor with cast iron flange and drain.
- Accident prevention protections according to CE standard.

M5A 3 cm



M8B 5 cm



# MULCHERS

## TTE 60 L - TTE 80 L

1.5 - 4.0 t

### ACCESSORIES:

#### Valve block:

Including priority for oil flow regulation, shock-proof (max pressure valve), anti-cavitation.

Excavator (ton)	Max. pressure (bar)	Oil max (l/min)	Connections (inches)	Price
1.5-4.0	210	60	1/2"	€ 350.00

#### Self-levelling rocker:

Convertible in fixed and rotating version.

Excavator (ton)	Weight	Price
1.5-4.0	+ 30 kg	€ 350.00

#### Pipe kit length 1800 mm:

Excavator (ton)	Connections (inches)	Price	Testing and assembly (at Sampierana)
1.5-4.0	1/2"	€ 110	€ 297,00

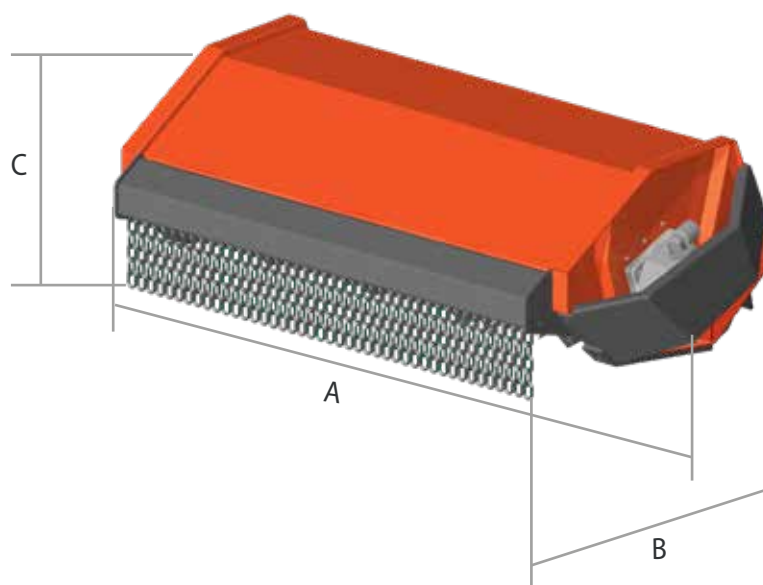
#### Type of quick coupler:

Excavator (ton)	Price with adapter with pins	Price with adapter for quick coupler
1.5-4.0	€ 295,00	€ 526,00

The prices shown do not include VAT and transport.



Model	TTE 100 L
Excavator (ton)	4.1-6.0
A	130
B	60
C	40
Useful cut (cm)	100
Carcase (cm)	110
Weight (kg)	190
Oil min (l/min)	35-50
Min/Max (bar)	170-220
Rotor	Helical 2 P
Transmission	Direct
Cylinder capacity	16-22
Blade	Y40X8 articulated
Mallet	On request
Price	€ 3,690.00



**TTE 100 L** features the following technical specifications and standard equipment:

- Direct transmission.
- Internal double carcass hood with cavity.
- Motor cover protection.
- Support roller adjustable in 3 positions to change the cutting height.
- Helical rotor with M5A blades interchangeable with M8B mallet version.
- Internal rotor supports with labyrinth to protect the bearings from impurities.
- Rotor ball bearings with double crown.
- Anti-cavitation valve.
- Gear motor with cast iron flange and drain.
- Accident prevention protections according to CE standard.

M5A 3 cm



M8B 5 cm





# MULCHERS

## TTE 100 L

4.1 - 6.0 t

### ACCESSORIES:

#### Valve block:

Including priority for oil flow regulation, shock-proof (max pressure valve), anti-cavitation.

Excavator (ton)	Max. pressure (bar)	Oil max (l/min)	Connections (inches)	Price
4.1-6.0	210	120	3/4"	€ 445.00

#### Self-levelling rocker:

Convertible in fixed and rotating version.

Excavator (ton)	Weight	Price
4.1-6.0	+ 35 kg	€ 540.00

#### Pipe kit length 1800 mm:

Excavator (ton)	Connections (inches)	Price	Testing and assembly (at Sampierana)
4.1-6.0	3/4"	€150.00	€ 361,00

#### Type of quick coupler:

Excavator (ton)	Price with adapter with pins	Price with adapter for quick coupler
4.1-6.0	€ 445,00	€ 650,00

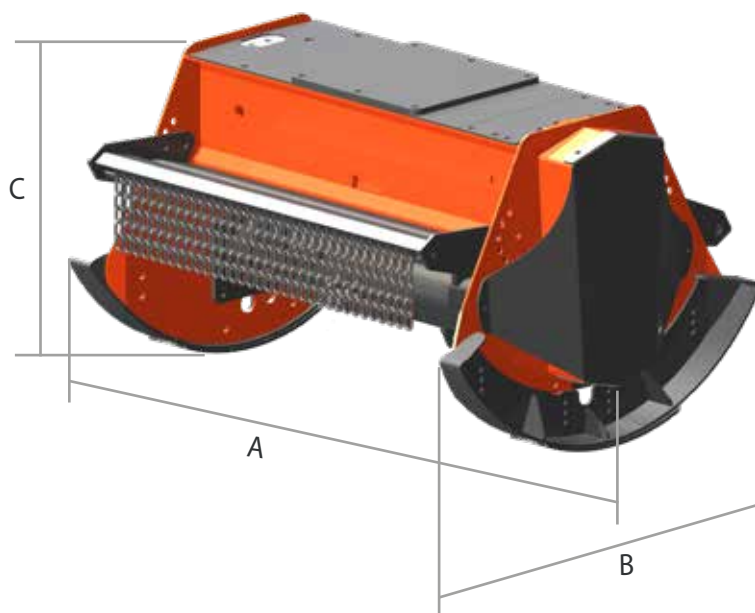
The prices shown do not include VAT and transport.



# MULCHERS

## TTE 60 R - TTE 80 R - TTE 100 R

Model	TTE 60 R	TTE 80 R	TTE 100 R
Excavator (ton)	2.1-6.0	2.1-6.0	5.1-10.0
A	85	105	125
B	80	80	80
C	60	60	60
Useful cut (cm)	60	80	100
Carcase (cm)	73	93	110
Weight (kg)	180	245	310
Oil min (l/min)	20-30	30	40-50-60 80-90
Min/Max(bar)	170-220	170-220	200-220
Rotor	Helical 2 P	Helical 2 P	Helical 2 P
Transmission	Belt no. 2	Belt no. 2	Belt no.3
Cylinder capacity	11.5-16	16	22-27-33 44-52
Blade	On request	On request	On request
Mallet	Mallet	Mallet	Mallet
Price	€ 4,720.00	€ 5,310.00	€ 6,340.00



TTE 60 R, TTE 80 R and TTE 100 R feature the following technical specifications and standard equipment:

- High performance toothed trapezoidal belt transmission.
- Internal double carcass hood with cavity.
- Belt cover protection.
- Symmetrical shredder for faster cutting with the rotation of the excavator.
- Completely identical inlets and outlets.
- Adjustable front panels, completely openable for greater cutting capacity.
- Support slides adjustable in 3 positions to change the cutting height.
- Helical rotor with M1E tempered mallets interchangeable with M2E blade versions.
- Internal rotor supports with labyrinth to protect the bearings from impurities.
- Rotor ball bearings with double crown.
- Anti-cavitation valve.
- Gear motor with cast iron flange and drain.
- Accident prevention protections according to CE standard.

M1E 8 cm



M2E 6 cm



# MULCHERS

## TTE 60 R - TTE 80 R - TTE 100 R

### ACCESSORIES:

#### Valve block:

Including priority for oil flow regulation, shock-proof (max pressure valve), anti-cavitation.

Excavator (ton)	Max. pressure (bar)	Oil max (l/min)	Connections (inches)	Price
2.1-4.0	210	60	1/2"	€ 350.00
4.1-10.0	210	120	3/4"	€ 445.00

#### Self-levelling rocker:

Convertible in fixed and rotating version.

Excavator (ton)	Weight	Price
2.1-4.0	+ 30 kg	€ 350.00
4.0-10.0	+ 35 kg	€ 540.00

#### Pipe kit length 1800 mm:

Excavator (ton)	Connections (inches)	Price	Testing and assembly (at Sampierana)
2.1-4.0	1/2"	€ 110.00	€ 378,00
4.1-8.0	3/4"	€ 150.00	€ 395,00
8.1-10.0	1"	€ 215.00	€ 465,00

#### Type of quick coupler:

Excavator (ton)	Price with adapter with pins	Price with adapter for quick coupler
2.1-4.0	€ 295,00	€ 650,00
4.1-8.0	€ 445,00	€ 650,00
8.1-10.0	€ 590,00	€ 650,00

#### Support roller:

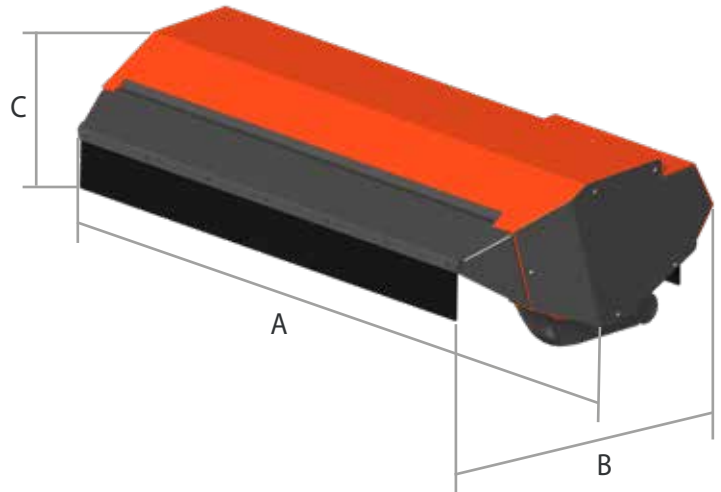
Excavator (ton)	Price
2.1-10.0	€ 590.00

The prices shown do not include VAT and transport.





Model	TTE 100 P	TTE 120 P
Excavator (ton)	4.1-6.0	4.1-6.0
A	125	145
B	75	75
C	50	50
Useful cut (cm)	100	120
Carcase (cm)	110	130
Weight (kg)	220	250
Oil min (l/min)	50-65-80	50-65-80
Min/Max (bar)	200-220	200-220
Rotor	Helical 2 P	Helical 2 P
Transmission	Direct	Direct
Cylinder capacity	22-26-33	22-26-33
Blade	On request	On request
Mallet	Mallet	Mallet
Price	€ 4,720.00	€ 5,310.00



**TTE 100 P** and **TTE 120 P** feature the following technical specifications and standard equipment:

- Direct transmission.
- Internal double carcass hood with cavity.
- Motor cover protection.
- Support roller adjustable in 3 positions to change the cutting height.
- Replaceable anti-wear slides.
- Helical rotor with M1E mallets interchangeable with M2B blade version.
- Internal rotor supports with labyrinth to protect the bearings from impurities.
- Rotor ball bearings with double crown.
- Anti-cavitation valve.
- Gear motor with cast iron flange and drain.
- Accident prevention protections according to CE standard.

M1E 8 cm



M2B 6 cm



# MULCHERS

## TTE 100 P - TTE 120 P

4.1 - 6.0 t

### ACCESSORIES:

#### Valve block:

Including priority for oil flow regulation, shock-proof (max pressure valve), anti-cavitation.

Excavator (ton)	Max. pressure (bar)	Oil max (l/min)	Connections (inches)	Price
4.1-6.0	210	120	3/4"	€ 445.00

#### Self-levelling rocker:

Convertible in fixed and rotating version.

Excavator (ton)	Weight	Price
4.1-6.0	+ 35 kg	€ 540.00

#### Pipe kit length 1800 mm:

Excavator (ton)	Connections (inches)	Price	Testing and assembly (at Sampierana)
4.1-6.0	3/4"	€150.00	€ 395,00

#### Type of quick coupler:

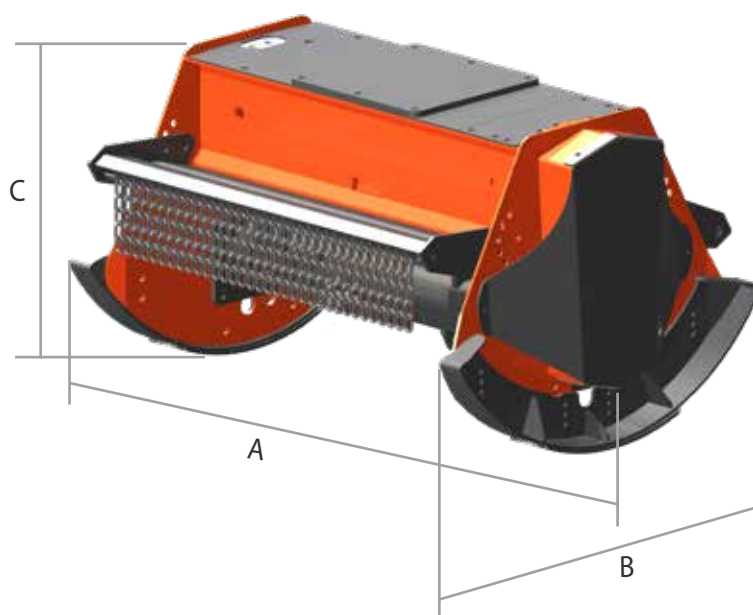
Excavator (ton)	Price with adapter with pins	Price with adapter for quick coupler
4.1-6.0	€ 445,00	€ 650,00



# MULCHERS

## TTE 80 RF - TTE 100 RF

Model	TTE 80 RF	TTE 100 RF
Excavator (ton)	5.1-10.0	5.1-10.0
A	105	125
B	80	80
C	60	60
Useful cut (cm)	80	100
Carcase (cm)	93	110
Weight (kg)	300	310
Oil min (l/min)	40-50-60	40-50-60 80-90
Min/Max (bar)	200-220	200-220
Rotor	Flanged forestry cutter	Flanged forestry cutter
Transmission	Belt no. 3	Belt no.3
Cylinder capacity	22-26-33	22-26-33 44-52
Blade	-	-
Mallet	Retractable 360°	Retractable 360°
Price	€ 7,520.00	€ 8,260.00



TTE 80 RF and TTE 100 RF feature the following technical specifications and standard equipment:

- High performance toothed trapezoidal belt transmission.
- Internal double carcass hood with cavity.
- Belt cover protection.
- Symmetrical shredder for faster cutting with the rotation of the excavator.
- Completely identical inlets and outlets.
- Adjustable front panels, completely openable for greater cutting capacity.
- Support slides adjustable in 3 positions to change the cutting height.
- Forestry rotor with M9D retractable mallets.
- Internal rotor supports with labyrinth to protect the bearings from impurities.
- Rotor ball bearings with double crown.
- Anti-cavitation valve.
- Gear motor with cast iron flange and drain.
- Accident prevention protections according to CE standard.





# MULCHERS

## TTE 80 RF - TTE 100 RF

### ACCESSORIES:

#### Valve block:

Including priority for oil flow regulation, shock-proof (max pressure valve), anti-cavitation.

Excavator (ton)	Max. pressure (bar)	Oil max (l/min)	Connections (inches)	Price
5.1-10.0	210	120	3/4"	€ 445.00

#### Self-levelling rocker:

Convertible in fixed and rotating version.

Excavator (ton)	Weight	Price
5.1-10.0	+ 35 kg	€ 540.00

#### Pipe kit length 1800 mm:

Excavator (ton)	Connections (inches)	Price	Testing and assembly (at Sampierana)
5.1-8.0	3/4"	€ 150.00	€ 395,00
8.1-10.0	1"	€ 215.00	€ 395,00

#### Type of quick coupler:

Excavator (ton)	Price with adapter with pins	Price with adapter for quick coupler
5.1-8.0	€ 445,00	€ 820,00
8.1-10.0	€ 590,00	€ 820,00

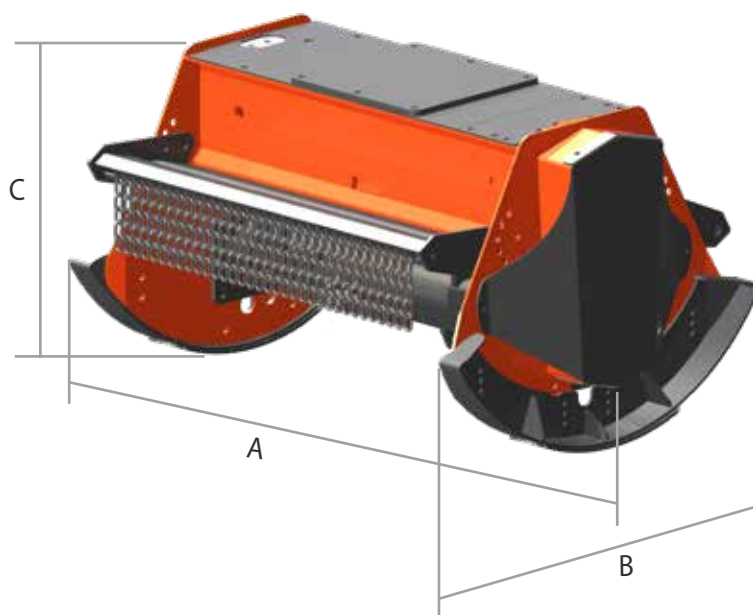
#### Support roller:

Excavator (ton)	Price
5.1-10.0	€ 590.00

The prices shown do not include VAT and transport.



Model	TTE 100 PR	TTE 120 PR
Excavator (ton)	8.1-16.0	8.1-16.0
A	125	145
B	95	95
C	85	85
Useful cut (cm)	100	120
Carcase (cm)	110	130
Weight (kg)	480	540
Oil min (l/min)	60-70-80-100	70-80-100
Min/Max (bar)	200-220	200-220
Rotor	Helical 2 P	Helical 2 P
Transmission	Toothed belt H50	Toothed belt H50
Cylinder capacity	33-44-52-62	44-52-62
Blade	On request	On request
Mallet	Mallet	Mallet
Price	€ 8,850.00	€ 9,735.00



**TTE 100 PR** and **TTE 120 PR** feature the following technical specifications and standard equipment:

- High performance HTD pre-stretched toothed single-belt transmission.
- Internal double carcass hood with cavity.
- Belt cover protection.
- Symmetrical shredder for faster cutting with the rotation of the excavator.
- Completely identical inlets and outlets.
- Adjustable front panels, completely openable for greater cutting capacity.
- Support slides adjustable in 3 positions to change the cutting height.
- Helical rotor with tempered mallets interchangeable with blade version.
- Internal rotor supports with labyrinth to protect the bearings from impurities.
- Rotor ball bearings with double crown.
- Anti-cavitation valve.
- Gear motor with cast iron flange and drain.
- Accident prevention protections with chains according to CE standard.

M10C 8 cm



M2C 6 cm



**ACCESSORIES:****Valve block:**

Including priority for oil flow regulation, shock-proof (max pressure valve), anti-cavitation.

Excavator (ton)	Max. pressure (bar)	Oil max (l/min)	Connections (inches)	Price
8.1-12.0	210	120	3/4"	€ 445.00
12.1-16.0	350	280	1"	€ 1,140.00

**Self-levelling rocker:**

Convertible in fixed and rotating version.

Excavator (ton)	Weight	Price
8.1-16.0	+ 35 kg	€ 805.00

**Pipe kit length 1800 mm:**

Excavator (ton)	Connections (inches)	Price	Testing and assembly (at Sampierana)
8.1-16.0	1"	€ 215.00	€ 465.00

**Piston motor:**

Excavator (ton)	Pressure (bar)	Price
8.1-16.0	210-450	€ 1,770.00

**Type of quick coupler:**

Excavator (ton)	Price with adapter with pins	Price with adapter for quick coupler
8.1-12.0	€ 590,00	€ 820,00
12.1-16.0	€ 740,00	€ 820,00

The prices shown do not include VAT and transport.

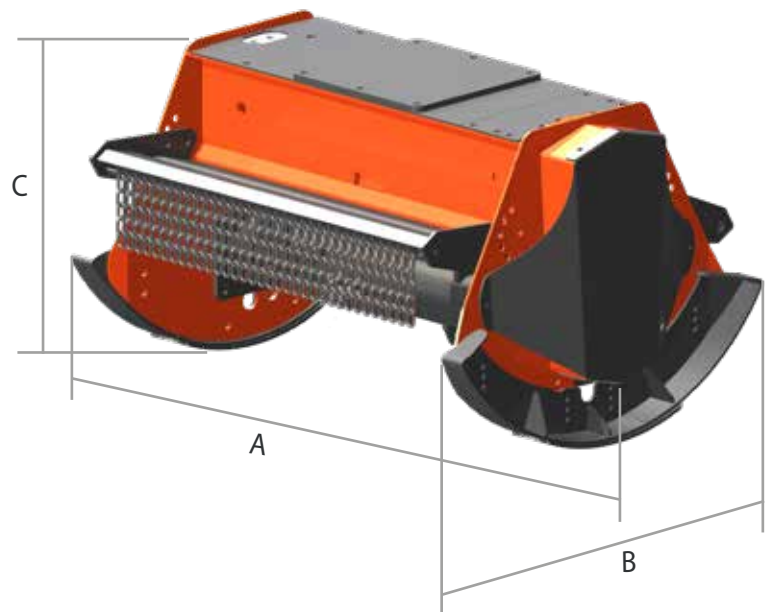




# MULCHERS

## TTE 100 PRF - TTE 120 PRF

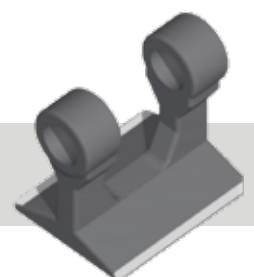
Model	TTE 100 PRF	TTE 120 PRF
Excavator (ton)	8.1-16.0	8.1-16.0
A	125	145
B	95	95
C	85	85
Useful cut (cm)	100	120
Carcase (cm)	110	130
Weight (kg)	535	595
Oil min (l/min)	70-80-100	70-80-100
Min/Max (bar)	200-220	200-220
Rotor	Flanged forestry cutter	Flanged forestry cutter
Transmission	Toothed belt H50	Toothed belt H50
Cylinder capacity	44-52-62	44-52-62
Blade	-	-
Mallet	Mallet rotating 360°	Mallet rotating 360°
Price	€ 11,355.00	€ 12,385.00



**TTE 100 PRF** and **TTE 120 PRF** feature the following technical specifications and standard equipment:

- High performance HTD pre-stretched toothed single-belt transmission.
- Internal double carcass hood with cavity.
- Belt cover protection.
- Symmetrical shredder for faster cutting with the rotation of the excavator.
- Completely identical inlets and outlets.
- Adjustable front panels, completely openable for greater cutting capacity.
- Support slides adjustable in 3 positions to change the cutting height.
- Forestry cutter rotor with retractable mallets.
- Internal rotor supports with labyrinth to protect the bearings from impurities.
- Rotor ball bearings with double crown.
- Anti-cavitation valve block.
- Gear motor with cast iron flange and drain.
- Accident prevention protections with chains according to CE standard.

M9D 12 cm



# MULCHERS

## TTE 100 PRF - TTE 120 PRF

### ACCESSORIES:

#### Valve block:

Including priority for oil flow regulation, shock-proof (max pressure valve), anti-cavitation.

Excavator (ton)	Max. pressure (bar)	Oil max (l/min)	Connections (inches)	Price
8.1-12.0	210	120	3/4"	€ 445.00
12.1-16.0	350	280	1"	€ 1,140.00

#### Self-levelling rocker:

Convertible in fixed and rotating version.

Excavator (ton)	Weight	Price
8.1-16.0	+ 35 kg	€ 805.00

#### Pipe kit length 1800 mm:

Excavator (ton)	Connections (inches)	Price	Testing and assembly (at Sampierana)
8.1-12.0	3/4"	€ 150.00	€ 395,00
12.1-16.0	1"	€ 215.00	€ 465,00

#### Piston motor:

Excavator (ton)	Pressure bar	Price
8.1-16.0	210-450	€ 2,415.00

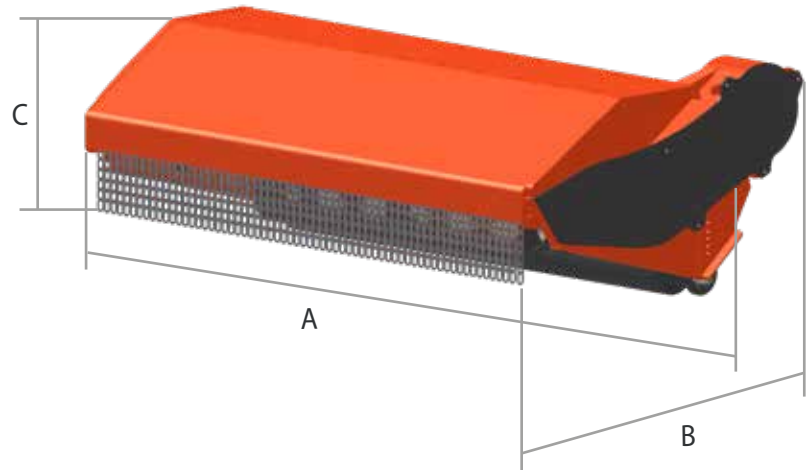
#### Type of quick coupler:

Excavator (ton)	Price with adapter with pins	Price with adapter for quick coupler
8.1-12.0	€ 590,00	€ 820,00
12.1-16.0	€ 740,00	€ 820,00

The prices shown do not include VAT and transport.



Model	TTE 160 L
Excavator (ton)	10.1-16.0
A	185
B	100
C	70
Useful cut (cm)	160
Carcase (cm)	170
Weight (kg)	420
Oil min (l/min)	90
Min/Max (bar)	200-220
Rotor	Helical 2 P
Transmission	Toothed belt H55
Cylinder capacity	51
Blade	On request
Mallet	Mallet
Price	€ 9,400.00



**TTE 160 L** features the following technical specifications and standard equipment:

- High performance HTD pre-stretched toothed single-belt transmission.
- Internal double carcass hood with cavity.
- Motor cover and belt cover protection.
- Front panel with double removable metal sheet for inspection.
- Lateral support slides adjustable on 3 cutting heights.
- Helical rotor with M10C tempered mallets interchangeable with M2c blade versions.
- Internal rotor supports with labyrinth to protect the bearings from impurities.
- Rotor ball bearings with double crown.
- Anti-cavitation valve.
- Gear motor with cast iron flange and drain.
- Accident prevention protections with chains according to CE standard.

M10C 8 cm



M2C 6 cm





# MULCHERS

## TTE 160 L

10.1 - 16.0 t

### ACCESSORIES:

#### Valve block:

Including priority for oil flow regulation, shock-proof (max pressure valve), anti-cavitation.

Excavator (ton)	Max. pressure (bar)	Oil max (l/min)	Connections (inches)	Price
10.1-12.0	210	120	3/4"	€ 445.00
12.1 -16.0	350	280	1"	€ 1,140.00

#### Self-levelling rocker:

Convertible in fixed and rotating version.

Excavator (ton)	Connections (inches)	Price
10.1-16.0	1"	€ 805.00

#### Pipe kit length 1800 mm:

Excavator (ton)	Size	Price	Testing and assembly (at Sampierana)
10.1-12.0	3/4"	€ 150.00	€ 395,00
12.1 -16.0	1"	€ 215.00	€ 465,00

#### Piston motor:

Excavator (ton)	Pressure (bar)	Price
10.1-16.0	210-450	€ 2,415.00

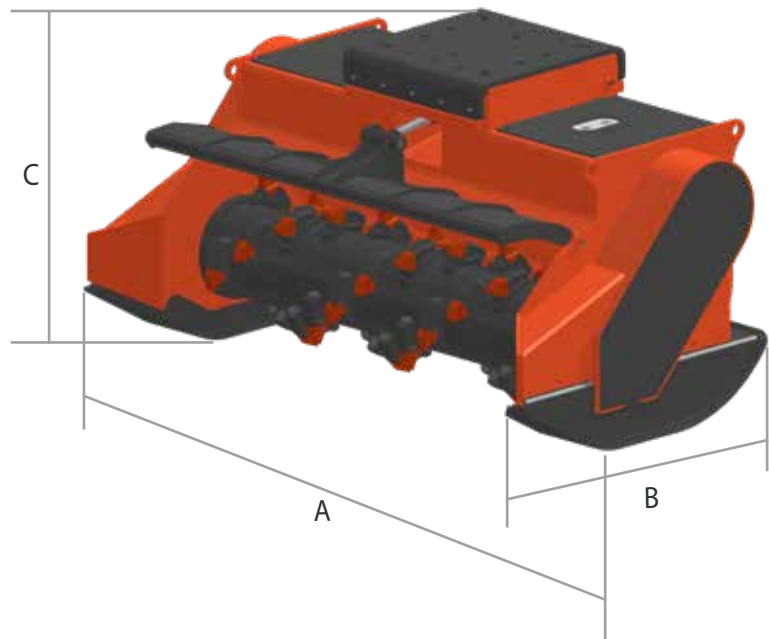
#### Type of quick coupler:

Excavator (ton)	Price with adapter with pins
10.1-12.0	€ 590,00
12.1 -16.0	€ 740,00

The prices shown do not include VAT and transport.



Model	TTE 130 PDF
Excavator (ton)	16.0-25.0
A	165
B	95
C	88
Useful cut (cm)	130
Carcase (cm)	135
Weight (kg)	1,050
Oil min (l/min)	130
Min/Max (bar)	250
Rotor	Helical 3 P
Transmission	Toothed belt H55
Cylinder capacity	80
Blade	Fixed Widia teeth
Mallet	
Price	€ 23,055.00



**TTE 130 PDF** features the following technical specifications and standard equipment:

- High performance HTD pre-stretched toothed single-belt transmission.
- Internal double carcass hood with cavity.
- Motor cover and belt cover protection.
- Front panel with double removable metal sheet for inspection, openable hydraulically.
- Lateral support slides adjustable on 3 cutting heights.
- Fixed tooth rotor with Widia plates.
- Internal rotor supports with labyrinth to protect the bearings from impurities.
- Rotor ball bearings.
- Fixed capacity piston motor.
- Valve block including priority for oil flow regulation, shock-proof (max pressure valve), anti-cavitation.
- Accident prevention protections with chains according to CE standard.

WIDIA PLATE 25 cm



# MULCHERS

## TTE 130 PDF

16.0 - 25.0 t

### ACCESSORIES:

#### Pipe kit length 1800 mm:

Excavator (ton)	Size	Price	Testing and assembly (at Sampierana)
16.0 -25.0	1"	€ 350.00	€ 465.00

#### Piston motor:

Excavator (ton)	Pressure (bar)	Price
10.1-25.0	210-450	€ 2,685.00

#### Type of quick coupler:

Excavator (ton)	Price with adapter with pins
16.0-25.0	€ 1.195,00

The prices shown do not include VAT and transport.





# DEMOLITION BREAKERS

FOR EXCAVATORS 0,8 - 11.0 Ton



EUROCOMACH



90ZT

EUROCOMACH

## DEMOLITION BREAKERS

The Eurocomach hammers are with a “monobloc” structure, that is a unique steel fusion and without tie rods. This specific feature allows an high efficiency suitable to heavy duty building site operations and the same time requires reduced maintenance.

The used high quality steels and the best heating treatments techniques grant reliability and long-lasting performance.

The range offers 8 different models applicable to excavators with operative weight from 0,8 to 11 ton.



Weight machine (Ton)	0.8-1.4	1.5-2.2	2.3-3.0	2.8-4.5	4.0-7.0		6.0-9.5	9.6-11.0
Model	MDE 70 H	MDE 100 H	MDE 150 H	MDE 200 H	MDE 250 H	MDE 300 H	MDE 400 H	MDE 500 H
Weight (kg)	70	100	145	190	250	320	430	540
Energy (J)	280	400	580	750	950	1200	1700	2300
Frequency (c/min)	800/1750	800/2300	800/2000	900/1900	850/1800	600/1500	500/1300	600/1200
Oil flow (l/min)	13-20	15-30	18-40	25-55	30-60	50-70	75-90	85-100
Pressure (bar)	100	110	110	130	140	160	150	150
Height (mm)	583	666	666	869	869	904	1135	1135
Backpressure (bar)	30	30	30	30	30	30	30	30
Hydraulic pipes	2	2	2	2	2	2	2	2
Tool	Optionally•	Optionally•	Optionally•	Optionally•	Optionally•	Optionally•	Optionally•	Optionally•
Price	€ 3.390,00	€ 3.680,00	€ 4.518,00	€ 5.746,00	€ 6.701,00	€ 7.331,00	€ 8.878,00	€ 10.996,00

• The first tool figures into the price.



MOIL POINT



BLUNT TOOL



CHISEL TOOL

# DEMOLITION BREAKERS

## ACCESSORIES:

### Saddle connection with pins or quick coupling:

Model	MDE 70 H	MDE 100 H	MDE 150 H	MDE 200 H	MDE 250 H	MDE 300 H	MDE 400 H	MDE 500 H
Price	€ 435,00	€ 435,00	€ 584,00	€ 584,00 €	€ 687,00	€ 687,00	€ 824,00	€ 824,00

### Additional tools:

	MDE 70 H	MDE 100 H	MDE 150 H	MDE 200 H	MDE 250 H	MDE 300 H	MDE 400 H	MDE 500 H
Moil point	€ 227,00	€ 227,00	€ 254,00	€ 289,00	€ 323,00	€ 351,00	€ 406,00	€ 515,00
Blunt tool	€ 227,00	€ 227,00	€ 254,00	€ 289,00	€ 323,00	€ 351,00	€ 406,00	€ 515,00
Chisel tool	€ 227,00	€ 227,00	€ 254,00	€ 289,00	€ 323,00	€ 351,00	€ 406,00	€ 515,00

Available ON REQUEST also:



PILE DRIVER



WOOD CUTTER TOOL



ASPHALT CUTTER

Testing and assembly (only at Sampierana)	Price
MDE 70 H - MDE 100 H	€ 320,00
MDE 150 H - MDE 200 H - MDE 250 H	€ 344,00
MDE 300 H - MDE 400 H - MDE 500 H	€ 447,00





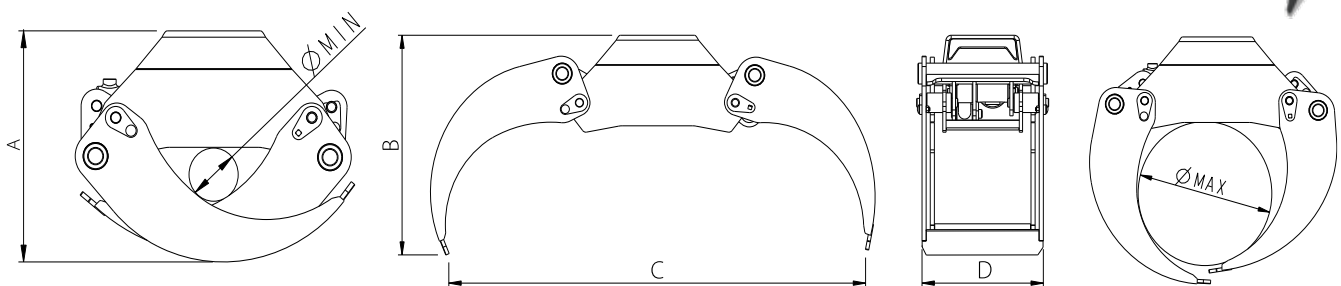
# WOOD GRAPPLES

FOR EXCAVATORS 1.5 - 17.0 Ton



## WOOD GRAPPLES

Ideal for handling logs and long pieces of wood, the grapple PLE are equipped with 360° rotator and built in high strength steel to offer maximum capacity load. The chrome-plated steel pins guarantee high smoothness and long lasting life. Standard equipped with self-lubricating bushings and a shock valve.



Model	PLE 100	PLE 110	PLE 140	PLE 160	PLE 180
Excavator (ton)	1.5-2.0	2.0-3.5	3.5-6.5	6.5-9.0	8.5-17.0
Weight (kg)	60	80	130	220	300
Capacity (kg)	1.000	1.900	2.200	3.500	3.800
ø min (mm)	70	70	100	100	130
A (mm)	385	420	499	630	700
B (mm)	510	560	660	818	880
C (mm)	1.000	1.100	1.400	1.600	1.800
D (mm)	315	340	410	570	645
Rotator •	IT-1	ITF-3	ITF-5	ITF-7	ITB-10
Price (with adapter on pins)	€ 2.653,00	€ 3.182,00	€ 4.302,00	€ 6.064,00	€ 7.586,00
Price (with adapter for Quick Coupler)	€ 2.962,00	€ 3.617,00	€ 4.737,00	€ 6.628,00	€ 8.147,00

• The rotator is already included in the price. On request it is possible to have the grapple without rotator. (for technical data see next page).

Testing and assembly (only at Sampierana)	Price
PLE 100 - PLE 110 - PLE140	€ 480,00
PLE 160 - PLE 180	€ 595,00



## ROTATORS:

The rotator castings are made of cast iron, all produced in Europe with an accurate quality control and free from internal porosity.

The paddles are finished, cemented and rectified with steel with very high surface hardness.

The shaft is made with a high-yield steel which is turned and rectified with tolerances of less than 0,01mm.

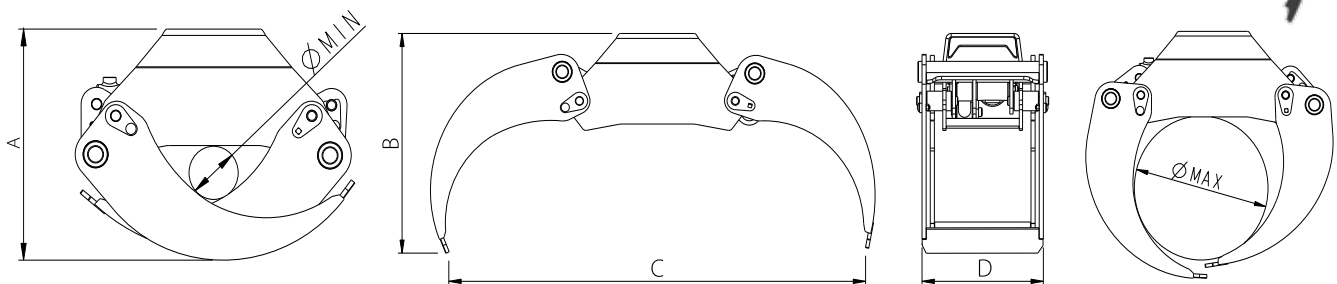
Model	IT-1	ITF-3	ITF-5	ITF-7	ITB-10
Weight (kg)	10	21.5	26	44	59
Max. static load (kg)	1.000	3.000	5.000	7.000	10.000
Max. dynamic load (kg)	500	1.500	2.500	3.500	5.000
Pair (Nm)	450	1.000	1.300	1.800	2.500
Oil flow (lt/min)	10	20	20	25	30
Max pressure (bar)	250	250	250	250	250





# OPEN WOOD GRAPPLES

Equipped with a 360° rotator, the PLE (A) wood grapple, in open version, ideal for moving trunks or lumber and for the loading of chippers. Built in high strength steel to offer maximum load capacity, reinforced claws in WELDOX and pins in chromed steel for high smoothness and long lasting life. Standard quipped with self-lubricating bushings and a shock valve.



Model	PLE 110A	PLE 140A	PLE 160A	PLE 180A
Excavator (ton)	2.0-3.5	3.5-6.5	6.5-9.0	8.5-17.0
Weight (kg)	100	150	250	320
Capacity (kg)	1.900	2.200	3.500	3.800
ø min (mm)	70	100	100	130
A (mm)	420	499	630	700
B (mm)	560	660	818	880
C (mm)	1.100	1.400	1.600	1.800
D (mm)	460	520	670	740
Rotator •	ITF-3	ITF-5	ITF-7	ITB-10
Price (with adapter on pins)	€ 3.551,00	€ 4.969,00	€ 6.582,00	€ 8.420,00
Price (with adapter for Quick Coupler)	€ 3.860,00	€ 5.404,00	€ 7.143,00	€ 8.981,00

• The rotator is already included in the price. On request it is possible to have the grapple without rotator. (for technical data see next page)

Testing and assembly (only at Sampierana)	Price
PLE 110A - PLE 140A	€ 480,00
PLE 160A - PLE 180A	€ 595,00

# OPEN WOOD GRAPPLES

2.0 - 17.0 t

## ROTATORS:

The rotator castings are made of cast iron, all produced in Europe with an accurate quality control and free from internal porosity.

The paddles are finished, cemented and rectified with steel with very high surface hardness.

The shaft is made with a high-yield steel which is turned and rectified with tolerances of less than 0,01 mm.

Model	IT-1	ITF-3	ITF-5	ITF-7	ITB-10
Weight (kg)	10	21.5	26	44	59
Max. static load (kg)	1.000	3.000	5.000	7.000	10.000
Max. dynamic load (kg)	500	1.500	2.500	3.500	5.000
Pair (Nm)	450	1.000	1.300	1.800	2.500
Oil flow (lt/min)	10	20	20	25	30
Max pressure (bar)	250	250	250	250	250





# SORTING GRAPPLES

FOR EXCAVATORS 1.2 - 14.0 Ton

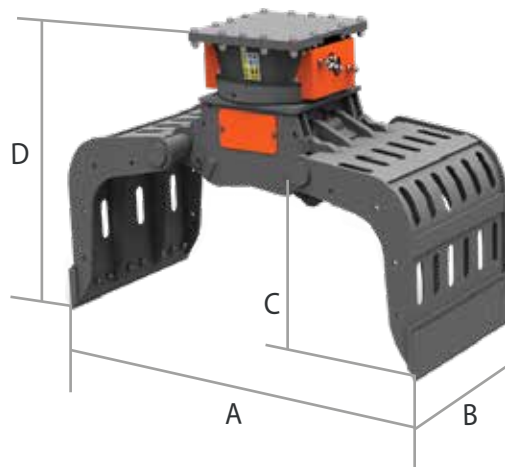






# SORTING GRAPPLES

All sorting grapples are equipped with standard hydraulic rotation and made in HB400 steel clamps with bolt-on reversible cutting edges. Designed to handle different materials, thanks to its particularly robust structure they're able to do also light demolition works.



Model	PSE 100	PSE150	PSE 200	PSE 250	PSE 300G	PSE 450G	PSE 550G
Excavator (ton)	1.2-1.8	1.8-2.5	2.5-4.0	4.0-6.0	6.0-7.5	7.5-12.0	12.0-14.0
A (mm)	700	900	1.100	1.300	1.300	1.500	1.600
B (mm)	300	400	500	500	600	700	700
C (mm)	270	300	330	390	410	460	1.010
D (mm)	680	750	810	850	930	990	1.260
w/o coupler (kg)	88	143	203	310	400	590	645
Clamps pressure (bar)	180	220	245	275	350	350	350
Clamps oil flow (l/min)	25	25	25	60	60	60	60
Rotation pressure (bar)	250	250	150	150	150	150	150
Rotation oil flow (l/min)	22	22	6/8	9/12	9/12	9/12	9/12
Hydraulic rotation	bidirectional with hydraulic rotator		bidirectional with slewing ring				
Price (with rotators) •	€ 7.313,00	€ 8.566,00	€ 9.455,00	€ 10.307,00	€ 11.347,00	€ 13.870,00	€ 15.757,00
Price (without rotators) •	€ 5.349,00	€ 6.603,00	€ 7.212,00	€ 8.064,00	€ 9.104,00	€ 11.627,00	€ 13.515,00

- The prices include saddle connection with pins or quick coupling (optionally).

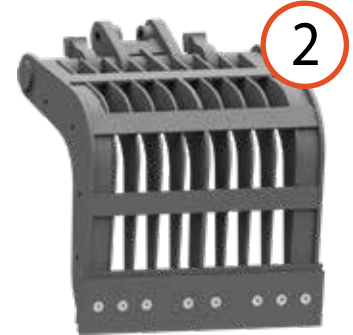
# SORTING GRAPPLES

## CLAMPS VERSION:

① Model:  
PSE 100 - PSE 150 - PSE 200 - PSE 250



② Model:  
PSE 300G - PSE 450G - PSE 550G  
This version makes the clamps particularly resistant and ideal for heavier works



## ACCESSORIES:

**Two pipe kit:** A built-in solenoid valve enables use of hydraulic rotation and clamps opening/closing functions even on excavators with one double-acting hydraulic line.

Model	PSE 100	PSE150	PSE 200	PSE 250	PSE 300G	PSE 450G	PSE 550G
Price	€ 1.471,00	€ 1.471,00	€ 1.780,00	€ 1.780,00	€ 1.780,00	€ 1.780,00	€ 1.780,00

Testing and assembly (only at Sampierana)	Price
PSE 110 - PSE 150 - PSE 200 - PSE 250	€ 480,00
PSE 300G - PSE 450G - PSE 550G	€ 595,00





# AUGERS

FOR EXCAVATORS 1.2 - 14.0 Ton



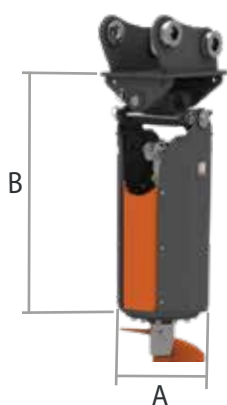




TRE augers can be quickly and precisely applied in every condition of slope ground.

Built with high endurance steel and equipped with a high-performance hydraulic motor, they guarantee a long term reliability.

Each auger can be equipped with 3 different bit types, to provide drilling of different soils ensuring optimal results even in very rocky soils.



Model	TRE 15	TRE 20	TRE 45	TRE 70
Excavator (ton)	1.2-1.8	1.8-4.0	4.0-7.5	7.5-14.0
A (mm)	270	300	300	370
B (mm)	500	620	730	950
Hexagon	50	50	50	70
Weight without coupler (kg)	75	130	160	250
Oil flow (l/min)	25/35	30/60	50/75	60/90
Pressure (bar)	175	200	200	250
Max torque (n/m)	1.600	2.200	6.000	10.000
Price •	€ 2.600,00	€ 3.110,00	€ 4.117,00	€ 6.100,00

- The prices include saddle connection with pins or quick coupling (optionally).

## ACCESSORIES:

**Extension:** It allows to increase the drilling depth. Extension size of 1.000 mm.

Model	TRE 15	TRE 20	TRE 45	TRE 70
Price	€ 612,00	€ 612,00	€ 612,00	€ 749,00

## Bit:

Hexagon (mm)	50							
Ø (mm)	150	200	250	300	350	400	500	600
<b>Standard bit:</b> low or medium consistency soils.	€ 749,00	€ 802,00	€ 873,00	€ 1.036,00	€ 1.063,00	€ 1.349,00	€ 1.450,00	€ 2.259,00
<b>Medium bit:</b> medium or high consistency soils.	€ 859,00	€ 916,00	€ 1.054,00	€ 1.288,00	€ 1.329,00	€ 1.530,00	€ 1.668,00	€ 2.153,00
<b>Rock bit:</b> soils with rocks or crushed stones	€ 955,00	€ 1.017,00	€ 1.171,00	€ 1.432,00	€ 1.475,00	€ 1.702,00	€ 1.853,00	€ 2.394,00

Hexagon (mm)	70							
Ø (mm)	150	200	250	300	350	400	500	600
<b>Standard bit:</b> low or medium consistency soils.	€ 818,00	€ 882,00	€ 999,00	€ 1.187,00	€ 1.315,00	€ 1.485,00	€ 1.592,00	€ 2.745,00
<b>Medium bit:</b> medium or high consistency soils.	€ 981,00	€ 1.036,00	€ 1.182,00	€ 1.402,00	€ 1.475,00	€ 1.684,00	€ 1.837,00	€ 2.584,00
<b>Rock bit:</b> soils with rocks or crushed stones	€ 1.088,00	€ 1.152,00	€ 1.315,00	€ 1.558,00	€ 1.638,00	€ 1.872,00	€ 2.041,00	€ 2.871,00

Testing and assembly (only at Sampierana)	Price
TRE 15	€ 512,00
TRE 20	€ 560,00
TRE 45 - TRE 70	€ 595,00



# MIXING BUCKETS

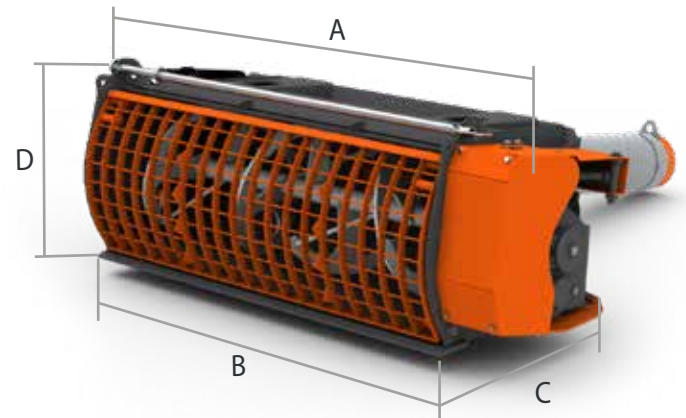






# MIXING BUCKETS

The Eurocomach mixing bucket is designed to make the production of concrete on site quick and safe: the discharge pipe is placed to the side, in a totally safe position and does not require the presence of the operator below the equipment. The bucket tank is designed so that the entire structure of the paddles can be extracted, facilitating maintenance operations.

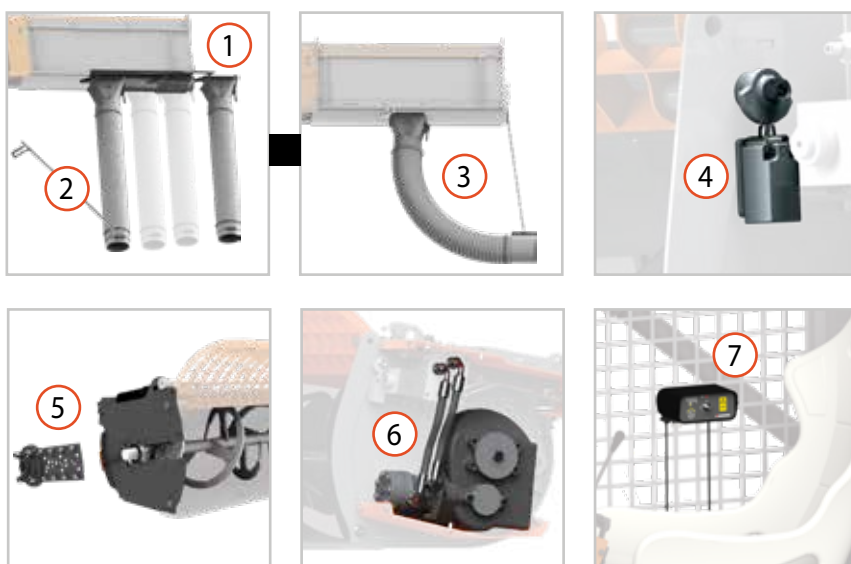


Model	BME 150	BME 200	BME 250	BME 350	BME 450	BME 600
A (mm)	1.000	1.100	1.350	1.350	1.670	1.750
B (mm)	1.258	1.370	1.620	1.630	1.946	2.018
C (mm)	620	650	650	720	720	835
D (mm)	530	580	610	680	680	800
Empty weight without quick coupler (Kg)	225	280	320	370	425	525
Operating load (Kg)	570	740	895	1.175	1.460	1.905
Maximum capacity (l)	150	200	250	350	450	600
Discharge pipe diameter (mm)	180	210	210	210	210	210
Oil flow (l/min)	70	70	70	70	70	70
Max. pressure (bar)	200	200	200	200	200	200
Price	€ 5.580,00	€ 5.890,00	€ 6.100,00	€ 6.713,00	€ 7.300,00	€ 9.107,00

# MIXING BUCKETS

## TECHNICAL FEATURES

- 1 SAFE LOCKING/DISCHARGE:**  
The operator locks the discharge pipe from the bucket's side in the safest work condition.
- 2 CONTROL ROD FOR THE DISCHARGE PIPE:**  
It enables the pipe's displacement for the side pouring.
- 3 FIXING SYSTEM FOR THE DISCHARGE PIPE:**  
It allows to fix the pipe in its position of side discharge.
- 4 SAFE AUGER IN HB4000:**  
When the grid is opened an automatic system stops the auger's rotating movement.
- 5 AUGER REMOVAL:**  
The bucket's body has been designed in a such way that the entire auger can be removed thus making the maintenance operation easier.
- 6 GEARMOTOR:**  
It guarantees high performances to the entire system
- 7 ELECTRIC KIT:**  
It allows the control both of the mixing and the discharge operations from the cab.





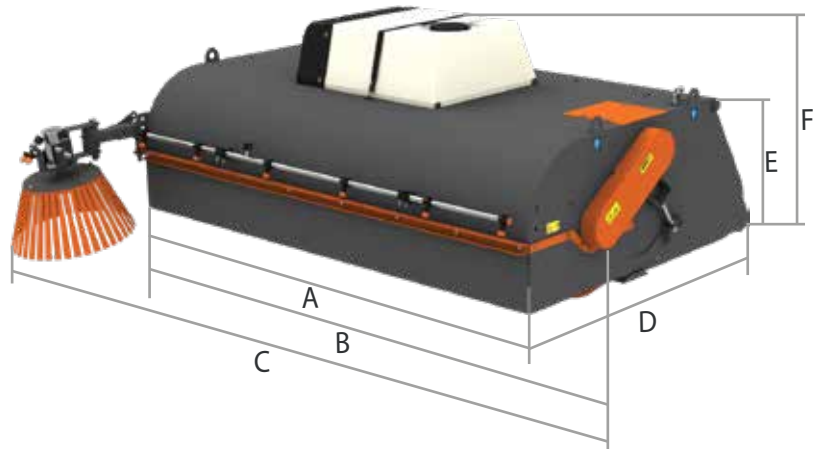


# SWEEPER BUCKETS



# SWEEPER BUCKETS

Five different models are available; the Eurocomach sweeper bucket can be equipped with a PPL brush suitable for the cleaning of standard and sensitive surfaces, or with a steel+PPL brush for particularly abrasive ones. The robust structure and the cutting edge in high-strength HB400 steel grant an excellent performance on any type of surface, even on tough mud.



Model	BSE 140	BSE 160	BSE 180	BSE 210	BSE 230
A (mm)	1.400	1.600	1.800	2.100	2.300
B (mm)	1.550	1.750	1.950	2.250	2.450
C (mm)	1.700	1.900	2.100	2.400	2.600
D (mm)	1.390	1.390	1.390	1.390	1.390
E (mm)	625	625	625	625	625
F (mm)	860	860	860	860	860
Empty weight without quick coupler (Kg)	300	330	360	415	450
Maximum capacity (l)	380	440	490	570	630
Brush diameter (mm)	550	550	550	550	550
Brush elements (N.)	28+2	32+2	37+2	43+2	48+2
Oil flow (l/min)	50	50	60	70	70
Max. pressure (bar) (bar)	180	180	180	180	180
Price (PPL brush kit)	€ 4.790,00	€ 5.120,00	€ 5.370,00	€ 5.840,00	€ 6.213,00
Price (PPL+steel brush kit)	€ 4.960,00	€ 5.320,00	€ 5.510,00	€ 6.010,00	€ 6.502,00

## TECHNICAL FEATURES:

- Bolt-on reversible HB400 cutting edge.
- Engine with square flanges and disk gearbox.
- Flow divider valve.
- PPL or steel + PPL brush KIT



# SWEEPER BUCKETS

## ACCESSORIES:

### ① INSIDE AND OUTSIDE SPRINKLERS:

The kit does not include the water tank and the pressure water pump. It can be employed only when the machine itself is equipped with a water tank.

Model	Price
BSE 140 - BSE 160 - BSE 180 - BSE 210 - BSE 230	€ 447,00

### ② DUST-CONTROL SYSTEM:

Pressurized water system with tank for the control of dusts produced during the working cycle. Sprinklers are positioned inside and outside the sweeper.

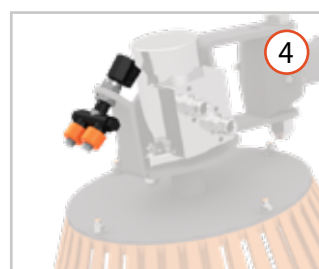
Model	Price
BSE 140 - BSE 160 - BSE 180 - BSE 210 - BSE 230	€ 1.450,00

### ③ SIDE BRUSH:

Model	Price
BSE 140 - BSE 160 - BSE 180 - BSE 210 - BSE 230	€ 1.840,00

### ④ SPRINKLERS FOR SIDE BRUSH:

Model	Price
BSE 140 - BSE 160 - BSE 180 - BSE 210 - BSE 230	€ 247,00





# PALLET FORKS



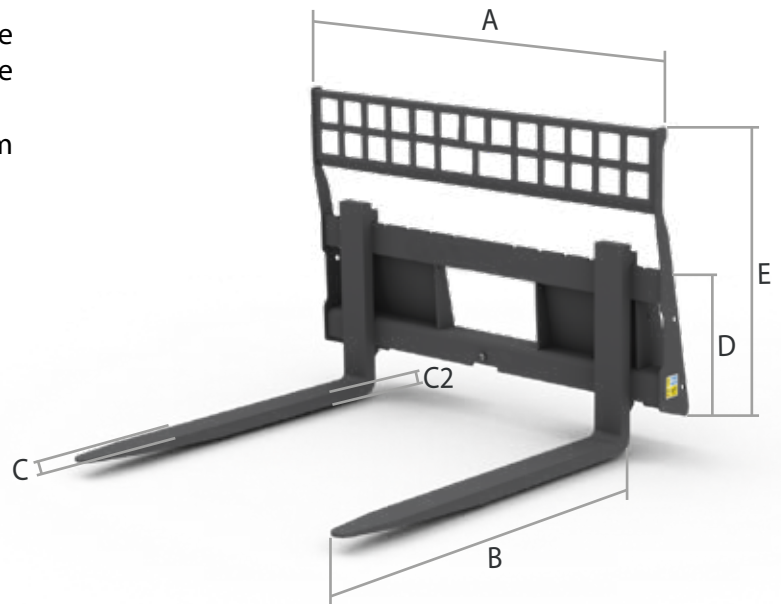
EUROCOMACH

18TL



# PALLET FORKS

Specially employed in the building sector, the Eurocomach pallet forks are designed to handle palletized loads. All the 4 models are equipped with a safety system to avoid the tilting of loads during its use.



Model	FPE 10	FPE 15	FPE 18	FPE 25
A (mm)	1.150	1.150	1.350	1.350
B (mm)	1.200	1.200	1.200	1.200
C (mm)	80	100	100	100
C2 (mm)	30	35	35	40
D (mm)	405	405	405	405
E (mm)	820	820	820	820
Weight without quick coupler (Kg)	125	165	180	195
Load (Kg)	1.000	1.500	1.800	2.500
Price	€ 1.390,00	€ 1.450,00	€ 1.970,00 •	€ 2.172,00 •

• The price includes forks housing for street circulation.

# PALLET FORKS





# PLANERS





**EUROCOMAC**  
Attacchi

EUROCOMAC 160 TL



### STANDARD FLOW

Planers for asphalt and concrete, fitted with self-levelling system of the supporting side slides, complete with:

- Standard drum with concrete type teeth
- Mechanical independent left and right depth adjustment with telescopic screws
- Mechanical side shift with universal coupling

Ideal for skid-steer-loader with 3 hydraulic lines.



Model	FE 25.10 PL	FE 35.15 PL	FE 40.15 PL
Standard drum (mm)	width 250 depth 0-70	width 350 depth 0-110	width 400 depth 0-150
Required oil flow (l/min)	30-60	45-75	65-145
Required oil pressure (bar)	240-160	240-160	240-170
Price	€ 13.141,00	€ 13.808,00	€ 14.614,00

# PLANERS

## FE 25.10 PL - FE 35.15 PL - FE 40.15 PL

### OPTIONAL:

Model	FE 25.10 PL	FE 35.15 PL	FE 40.15 PL
Hydraulic translation adjustment (manual commutation)	-	€ 1.288,00	€ 1.288,00
Independent left and right hydraulic depth adjustment (V3 included). Drain line needed	-	€ 3.274,00	€ 3.274,00
Self-levelling tilt damped system	-	€ 1.125,00	€ 1.125,00
Removable right hand slide	€ 406,00	€ 406,00	€ 406,00
Pressure gauge - Performer	-	€ 541,00	€ 541,00
Water spraying system incorporated in the planer shift unit	-	€ 2.644,00	€ 2.644,00
Water spraying kit (with sprinklers) to be mounted on the roof of skid-steer-loader	€ 1.320,00	€ 1.320,00	€ 1.320,00
Additional cost for special coupling	€ 696,00	€ 696,00	€ 696,00



### HIGH FLOW

Planers for asphalt and concrete, fitted with self-levelling system of the supporting side slides, complete with:

- Standard drum with concrete type teeth
- Mechanical independent left and right depth adjustment with telescopic screws
- Mechanical floating transverse tilt damped system
- Hydraulic side shift with universal coupling

Ideal for skid-steer-loader with 3 hydraulic lines (add valve V3) and for skid-steer-loader with 5 hydraulic lines.



Model	FE 45.20 PL
Standard drum(mm)	width 450 depth 0-150
Required oil flow (l/min)	65-140
Required oil pressure (bar)	300-160
Price	€ 17.302,00

# PLANERS

## FE 45.20 PL

### OPTIONAL:

Model	FE 45.20 PL
Electro-hydraulic valve necessary for skid-steer-loader with only 3 hydraulic lines	€ 1.615,00
Hydraulic translation adjustment by manual commutation	€ 733,00
Independent left and right hydraulic depth adjustment	€ 1.764,00
Hydraulic tilt adjustment with possibility of floating position (if combined to V3 and wiring loom)	€ 1.175,00
Removable right hand slide	€ 364,00
Pressure gauge - PERFORMER	€ 541,00
Water spraying system incorporated in the planer shift unit	€ 1.908,00
Water spraying kit (with sprinklers) to be mounted on the roof of skid-steer-loader	€ 1.320,00
Additional cost for special coupling	€ 696,00

### HIGH FLOW

Planers for asphalt and concrete, fitted with self-levelling system of the supporting side slides, complete with:

- Standard drum with concrete type teeth
- Mechanical independent left and right depth adjustment with telescopic screws
- Mechanical floating transverse tilt damped system
- Hydraulic side shift with universal coupling

Ideal for skid-steer-loader with 3 hydraulic lines (add valve V3) and for skid-steer-loader with 5 hydraulic lines.



Model	FE 45.20 HP	FE 50.20 PL	FE 60.20 PL	FE 60.20 HP	FE 75.20 PL
Standard drum(mm)	width 450 depth 0-170	width 500 depth 0-170	width 600 depth 0-170	width 600 depth 0-170	width 750 depth 0-170
Required oil flow (l/min)	100-150	90-160	90-160	110-170	110-180
Required oil pressure (bar)	300	300-160	300-160	300	300-180
Price	€ 18.410,00	€ 19.194,00	€ 20.194,00	€ 20.694,00	€ 24.028,00



# PLANERS

FE 45.20 HP - FE 50.20 PL - FE 60.20 PL - FE 60.20 HP - FE 75.20 PL

## OPTIONAL:

Model	FE 45.20 HP	FE 50.20 PL	FE 60.20 PL	FE 60.20 HP	FE 75.20 PL
Electro-hydraulic valve necessary for skidsteer-loader with only 3 hydraulic lines	€ 1.615,00	€ 1.615,00	€ 1.615,00	€ 1.615,00	€ 1.615,00
Independent left and right hydraulic depth adjustment	€ 1.764,00	€ 1.764,00	€ 1.764,00	€ 1.764,00	€ 1.764,00
Hydraulic tilt adjustment with possibility of floating position (if combined to V3 and wiring loom)	€ 1.175,00	€ 1.175,00	€ 1.175,00	€ 1.175,00	€ 1.175,00
Removable right hand slide	€ 364,00	€ 364,00	€ 364,00	€ 364,00	€ 364,00
Pressure gauge - Performer	€ 541,00	€ 541,00	€ 541,00	€ 541,00	€ € 541,00
Water spraying system incorporated in the planer shift unit	€ 1.908,00	€ 1.908,00	€ 1.908,00	€ 1.908,00	€ 1.908,00
Water spraying kit (with sprinklers) to be mounted on the roof of skid-steer-loader	€ 1.320,00	€ 1.320,00	€ 1.320,00	€ 1.320,00	€ 1.320,00
Additional cost for special coupling	€ 696,00	€ 696,00	€ 696,00	€ 696,00	€ 696,00

# PLANERS

## FE 1000 PL - FE 1200 PL

### HIGH FLOW

Planers for asphalt and concrete, fitted with self-levelling system of the supporting side slides, complete with:

- Standard drum with concrete type teeth
- Mechanical independent left and right depth adjustment with telescopic screws
- Mechanical floating transverse tilt damped system
- Hydraulic side shift with universal coupling

Ideal for skid-steer-loader with 3 hydraulic lines (add valve V3) and for skid-steer-loader with 5 hydraulic lines.



Model	FE 1000 PL	FE 1200 PL
Standard drum(mm)	width 1.000 depth 0-130	width 1.200 depth 0-130
Required oil flow (l/min)	95-200	110-200
Required oil pressure (bar)	350-180	350-180
Price	€ 31.075,00	€ 35.155,00

# PLANERS

## FE 1000 PL - FE 1200 PL

### OPTIONAL:

Modello	FE 1000 PL	FE 1200 PL
Electro-hydraulic valve necessary for skidsteer-loader with only 3 hydraulic lines. Electrical device included.	€ 1.615,00	€ 1.615,00
Independent left and right hydraulic depth adjustment	€ 1.764,00	€ 1.764,00
Hydraulic tilt adjustment with possibility of floating position (if combined to V3 and wiring loom)	€ 1.175,00	€ 1.175,00
Removable right hand slide	€ 364,00	€ 364,00
Pressure gauge - Performer	€ 541,00	€ 541,00
Water spraying system incorporated in the planer shift unit	€ 2.057,00	€ 2.128,00
Water spraying kit (with sprinklers) to be mounted on the roof of skid-steer-loader	€ 1.320,00	€ 1.496,00
Additional cost for special coupling	€ 696,00	€ 696,00



# WHEEL SAWS





# WHEEL SAWS

## FRE 200 T

Wheel saw complete with standard wheel bits:

- Mechanical side shift with universal coupling

Ideal for skid steer loaders with 3 hydraulic lines  
(add valve V3)



Model	FRE 200 T
Working depth (mm)	200
Standard wheel width (mm)	30
Operating weight with standard wheel (Kg)	270
Required oil flow (l/min)	40-70
Required oil pressure (bar)	240-160
Price	€ 10.305,00

# WHEEL SAWS

## FRE 200 T

### OPTIONAL:

Model	FRE 200 T	
	In substitution to standard wheel	In addition to standard wheel
Wheel width 25 mm	€ 10.305,00	€ 2.685,00
Wheel width 30 mm	-	€ 2.685,00
Wheel width 40 mm	€10.729,00	€ 2.898,00
Wheel width 50 mm	€10.729,00	€ 2.898,00

Model	FRE 200 T
Additional cost for special coupling	€ 696,00

# WHEEL SAWS

## FRE 300 T

Wheel saw complete with standard wheel bits:

- Hydraulic side shift with universal coupling

Ideal for skid-steer-loader with 3 hydraulic lines (add valve V3) and for skid-steer-loader with 5 hydraulic lines.



Model	FRE 300 T
Working depth (mm)	300
Standard wheel width (mm)	80
Operating weight with standard wheel (Kg)	665
Required oil flow (l/min)	60-140
Required oil pressure (bar)	300-160
Price	€ 16.949,00



# WHEEL SAWS

## FRE 300 T

### OPTIONAL:

Model	FRE 300 T	
	In substitution to standard wheel	In addition to standard wheel
Wheel width 30 mm	€ 17.604,00	€ 4.048,00
Wheel width 50 mm	€ 18.060,00	€ 4.477,00
Wheel width 80 mm	-	€ 3.441,00

Model	FRE 300 T
Electro-hydraulic valve necessary for skid-steer-loader with only 3 hydraulic lines. Electrical device included	€ 1.615,00
Trench clearing device	€ 1.640,00
Pressure gauge - Performer	€ 541,00
Kit hydraulic tilt	€ 3.535,00
Kit conveyor belt (V3 valve compulsory)	€ 6.584,00
Water spraying kit to be installed on the roof of skid steer loader	€ 1.730,00
Additional cost for special coupling	€ 696,00

# WHEEL SAWS

## FRE 450 T - FRE 600 T

Wheel saw complete with wheel with concrete type of teeth:

- Hydraulic depth adjustment
- Hydraulic side shift with universal couplings
- Larger right hand slide to clear material 40 cm away from the trench (only for FRE 600 T)

Ideal for skid-steer-loader with 3 hydraulic lines (add valve V3) and for skid-steer-loader with 5 hydraulic lines.



Model	FRE 450 T	FRE 600 T
Working depth (mm)	150-450	200-600
Required oil flow (l/min)	80-160	90-160
Required oil pressure (bar)	300-180	300-180
Price with wheel 50 mm	€ 28.404,00	-
Price with wheel 80 mm	€ 27.139,00	€ 31.114,00
Price with wheel 100 mm	€ 26.800,00	€ 30.358,00
Price with wheel 130 mm	€ 26.800,00	€ 30.358,00
Price with wheel 160 mm	€ 27.013,00	€ 30.864,00
Price with wheel 200 mm	€ 27.368,00	€ 31.178,00

# WHEEL SAWS

## FRE 450 T - FRE 600 T

### OPTIONAL:

Model	FRE 450 T	FRE 600 T
	<b>In addition to chosen wheel</b>	
Wheel width 50 mm	€ 6.648,00	-
Wheel width 80 mm	€ 5.331,00	€ 6.887,00
Wheel width 100 mm	€ 4.740,00	€ 6.096,00
Wheel width 130 mm	€ 4.740,00	€ 6.096,00
Wheel width 160 mm	€ 5.201,00	€ 6.623,00
Wheel width 200 mm	€ 5.569,00	€ 6.953,00

Model	FRE 450 T	FRE 600 T
Electro-hydraulic valve necessary for skid-steer-loader with only 3 hydraulic lines. Electrical device included	€ 1.615,00	€ 1.615,00
Trench clearing device	€ 1.950,00	€ 2.071,00
Additional right hand side material clearing slide	€ 392,00	-
Additional left hand side material clearing slide	€ 458,00	€ 518,00
Left and right outlet closing kits	€ 518,00	€ 518,00
Pressure gauge - PERFORMER	€ 541,00	€ 541,00
Water spraying kit to be installed on the roof of skid steer loader	€ 1.906,00	€ 1.906,00
Additional cost for special coupling	€ 696,00	€ 696,00

# WHEEL SAWS

## FRE 450 TS - FRE 600 TS

Wheel saw complete with basic wheel without segments:

- Hydraulic depth adjustment
- Hydraulic side shift with universal couplings
- Larger right hand slide to clear material 40 cm away from the trench (only for FRE 600 T)

Ideal for skid-steer-loader with 3 hydraulic lines (add valve V3) and for skid-steer-loader with 5 hydraulic lines.



Model	FRE 450 TS	FRE 600 TS
Working depth (mm)	150-450	200-600
Required oil flow (l/min)	80-160	90-160
Required oil pressure (bar)	300-180	300-180
Price (without segments)	€ 24.269,00	€ 26.729,00

Segment kit (compulsory)	FRE 450 TS	FRE 600 TS
S 50	€ 5.308,00	-
S 80	€ 5.574,00	€ 5.815,00
S 100	€ 5.075,00	€ 6.225,00
S 130	€ 5.219,00	€ 6.451,00
S 160	€ 5.716,00	€ 6.825,00
S 200	€ 6.293,00	€ 7.311,00



# WHEEL SAWS

## FRE 450 TS - FRE 600 TS

### OPTIONAL:

Model	FRE 450 TS	FRE 600 TS
Electro-hydraulic valve necessary for skid-steer-loaders with only 3 hydraulic lines. Electrical device included	€ 1.615,00	€ 1.615,00
Trench clearing device	€ 1.950,00	€ 2.071,00
Additional right hand side material clearing slide	€ 393,00	-
Additional left hand side material clearing slide	€ 498,00	€ 518,00
Left and right outlet closing kits	€ 518,00	€ 518,00
Set of extra bolts	€ 227,00	€ 227,00
Basic Wheel without sectors	€ 1.920,00	€ 2.490,00
Pressure gauge Performer	€ 541,00	€ 541,00
Water spraying kit to be installed on the roof of skid steer loader	€ 1.906,00	€ 1.906,00
Additional cost for special coupling	€ 696,00	€ 696,00

# WHEEL SAWS

## FRE 800 T

Wheel saw complete with standard wheel with concrete type teeth:

- Hydraulic depth adjustment
- Hydraulic side shift universal couplings
- Works backward

Ideal for skid-steer-loader with 3 hydraulic lines (add valve V3) and for skid-steer-loader with 5 hydraulic lines.



Model	FRE 800 T
Standard drum (mm)	larghezza 250 profondità 450-800
Required oil flow (l/min)	110-160
Required oil pressure (bar)	300-180
Price	€ 42.177,00

# WHEEL SAWS

## FRE 800 T

### OPTIONAL:

Model	FRE 800 T
Electro-hydraulic valve necessary for skid-steer-loaders with only 3 hydraulic lines. Electrical device included	€ 1.615,00
Pressure gauge - PERFORMER	€ 541,00
Complete spare wheel	€ 11.615,00
Water spraying kit to be installed on the roof of skid steer loader	€ 1.906,00
Additional cost for special coupling	€ 696,00

# WHEEL SAWS

## FRE 500 RW

Wheel saw with basic wheel without segments:

- Hydraulic depth adjustment
- Hydraulic side shift with universal coupling

Ideal for skid-steer-loader with 3 hydraulic lines (add valve V3) and for skid-steer-loader with 5 hydraulic lines.



Modello	FRE 500 RW
Working depth (mm)	250-500
Required oil flow (l/min)	90-160
Required oil pressure (bar)	300-160
Price	€ 25.336,00

Segment kit (compulsory)	FRE 500 RW
S 50	€ 5.709,00
S 80	€ 5.601,00
S 100	€ 5.975,00
S 120	€ 6.225,00



# WHEEL SAWS

## FRE 500 RW

### OPTIONAL:

Model	FRE 500 RW
Electro-hydraulic valve necessary for skid-steer-loaders with only 3 hydraulic lines. Electrical device included	€ 1.615,00
Pressure gauge - PERFORMER	€ 541,00
Right hand closing kit	€ 440,00
Water spraying kit to be installed on the roof of skid steer loader	€ 1.906,00
Additional cost for special coupling	€ 696,00

# WHEEL SAWS

## FRE 500 RWA

Wheel saw with basic wheel without segments:

- Hydraulic depth adjustment
- Hydraulic sideshift with universal coupling
- Hydraulic tilt

Ideal for skid-steer-loader with 3 hydraulic lines (add valve V3) and for skid-steer-loader with 5 hydraulic lines.



Model	FRE 500 RWA
Working depth (mm)	250-500
Required oil flow (l/min)	90-160
Required oil pressure (bar)	300-160
Price (without segments)	€ 32.600,00

Segment kit (compulsory)	FRE 500 RWA
S 50	€ 5.709,00
S 80	€ 5.600,00
S 100	€ 5.975,00
S 120	€ 6.225,00

# WHEEL SAWS

## FRE 500 RWA

### OPTIONAL:

Model	FRE 500 RWA
Electro-hydraulic valve necessary for skid-steer-loaders with only 3 hydraulic lines. Electrical device included	€ 1.615,00
Pressure gauge - PERFORMER	€ 541,00
Right hand closing kit	€ 440,00
Water spraying kit to be installed on the roof of skid steer loader	€ 1.906,00
Additional cost for special coupling	€ 696,00



# LOADING RAMPS





**EUROCOMACH**

# LOADING RAMPS

Loading ramps are made of high-strength aluminum, to ensure maximum solidity and safety during loading/unloading operations. Ideal for handling wheeled vehicles or equipped with rubber tracks, from 0 to 10,5 tons of weight.

Model (mm)	Length (mm)	Pair Weight (kg)	Tread max. weight (Kg)			Intern length (mm)	Extern length (mm)	Flange height (mm)	Price (pair)
			1.000 (mm)	1.500 (mm)	2.000 (mm)				
RCS 95-25	2500	40	2150	2600	2600	300	350	26 •	€ 495,00
RCS 95-30	2900	45	1800	2170	2170	300	350	26 •	€ 555,00
RCS 95-35	3500	52	1500	1950	1950	300	350	26 •	€ 642,00
RCS 116-25	2500	46	3800	4000	4200	300	350	40 •	€ 569,00
RCS 116-30	2900	52	2990	3610	3610	300	350	40 •	€ 642,00
RCS 116-32	3200	55	2590	3060	3235	300	350	40 •	€ 679,00
RCS 116-35	3500	60	2280	2640	2930	300	350	40 •	€ 740,00
RCS 116-40	4000	69	1910	2290	2870	300	350	40 •	€ 850,00
RCS 140-30	2900	56	4450	5330	5330	320	370	40 •	€ 692,00
RCS 140-32	3200	60	3790	4732	4732	320	370	40 •	€ 740,00
RCS 140-35	3500	63	3375	3930	4310	320	370	40 •	€ 777,00
RCS 140-40	3950	75	2845	3240	3725	320	370	40 •	€ 926,00
RCS 140-30W	2900	61	4450	5330	5330	370	420	40 •	€ 752,00
RCS 140-32W	3200	68	3790	4732	4732	370	420	40 •	€ 839,00
RCS 140-35W	3500	71	3375	3930	4310	370	420	40 •	€ 876,00
RCS 140-40W	3950	81	2845	3240	3725	370	420	40 •	€ 999,00
RCS 151-30	3000	88	5425	6550	6550	400	462	40 •	€ 1.086,00
RCS 151-32	3200	92	5000	5600	6000	400	462	40 •	€ 1.135,00
RCS 151-35	3400	97	4485	5265	5675	400	462	40 •	€ 1.196,00
RCS 151-40	4000	110	3550	4015	4645	400	462	40 •	€ 1.357,00
RCS 151-45	4500	121	3504	3823	4205	400	462	40 •	€ 1.492,00
RCS 151-30W	3000	94	5425	6550	6550	450	512	40 •	€ 1.160,00
RCS 151-32W	3200	97	5000	5600	6000	450	512	40 •	€ 1.196,00
RCS 151-35W	3400	102	4485	5265	5675	450	512	40 •	€ 1.258,00
RCS 151-40W	4000	118	3550	4015	4645	450	512	40 •	€ 1.455,00
RCS 151-45W	4500	132	3504	3823	4205	450	512	40 •	€ 1.627,00
RCS 171-30	3000	100	10507	10918	10918	450	512	40 •	€ 1.233,00
RCS 171-35	3400	110	6950	8200	8750	450	512	40 •	€ 1.357,00
RCS 171-40	4000	130	5470	6250	7200	450	512	40 •	€ 1.602,00

# LOADING RAMPS

RCS 171-45	4400	141	4790	5380	6100	450	512	40 •	€ 1.739,00
RCS 171-50	5000	166	4503	4849	5253	450	512	40 •	€ 2.046,00
RCS 171-30W	3000	114	10507	10918	10918	500	562	40 •	€ 1.405,00
RCS 171-35W	3400	120	6950	8200	8750	500	562	40 •	€ 1.480,00
RCS 171-40W	4000	138	5470	6250	7200	500	562	40 •	€ 1.700,00
RCS 171-45W	4400	150	4790	5380	6100	500	562	40 •	€ 1.849,00
RCS 171-50W	5000	172	4503	4849	5253	500	562	40 •	€ 2.120,00
RCS 191-35	3500	135	10650	10918	10918	500	562	40 •	€ 1.664,00
RCS 191-40	4000	150	7600	8700	10030	500	562	40 •	€ 1.849,00
RCS 191-45	4400	166	6635	7470	8490	500	562	40 •	€ 2.046,00

- The ramps can be supplied without flange (same price).

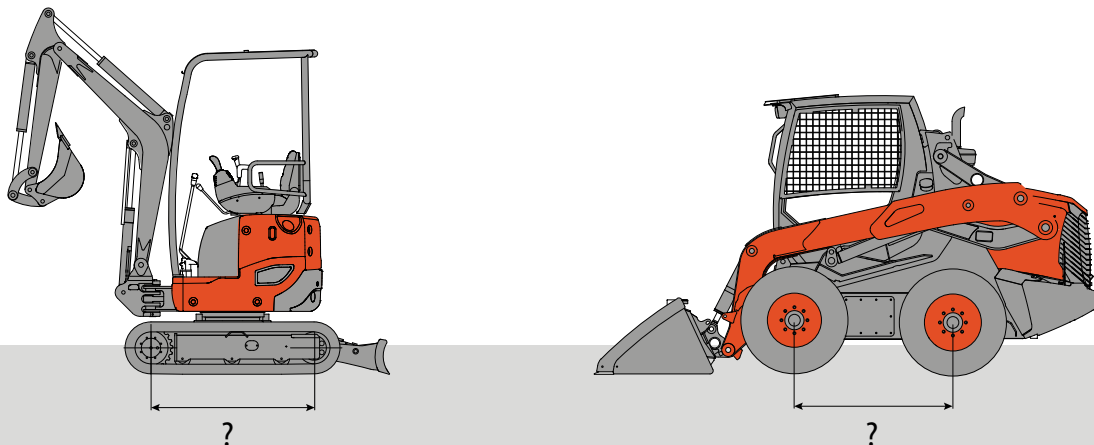
Rubber coating for steel tracks	Price
(in pairs per linear meter)	€ 160,00

## HOW TO CHOOSE THE RAMP:

1. To choose is fundamental the inclination, which must not exceed the maximum slope of 30%. it is recommended to follow this formula underneath to identify the minimum length of the ramps:

$$\text{LENGTH OF THE RAMP (mm)} = \frac{\text{DIFFERENCE IN LEVEL (mm)} \times 100}{\text{SLOPE (\%)} \text{ RECOMMENDED } 30\%}$$

2. Consider the measurement of the machine pace.







# CONTACTS

## **Sampierana S.p.A.**

Via Leonardo da Vinci, 40  
47021 San Piero in Bagno (FC)  
Tel +39 0543 904211  
Fax +39 0543 918520

[info@sampierana.com](mailto:info@sampierana.com)  
[www.sampierana.com](http://www.sampierana.com)



## **Sampierana S.p.A.** **Sede di Modena**

Via Monsignor G. Pistoni, 161  
41123 Modena (MO)  
Tel +39 059 387111  
Fax +39 0543 918520

[info@sampierana.com](mailto:info@sampierana.com)  
[www.sampierana.com](http://www.sampierana.com)





**EUROCOMACH<sup>®</sup>**

Attachments

**Sampierana S.p.A.**

Via Leonardo da Vinci, 40

47021 S. Piero in Bagno (FC) - ITALY

Tel +39 0543.904211

[www.eurocomach.com](http://www.eurocomach.com)



COMPANY WITH  
QUALITY SYSTEM  
CERTIFIED BY DNV GL  
= ISO 9001 =

The information contained in this document is of general nature. Sampierana S.p.A. reserves the right to change technical data and product characteristics at any time without prior notice. The photos are for illustrative purposes only and do not necessarily refer to standard products. For instructions on the correct use of the products, see the use and maintenance manual. Sampierana S.p.A. shall not be held responsible for any damage to people and/or property, if the instructions contained in the use and maintenance manual are not complied with.