

42zT



Concrete solutions. Always.

Engine D1803-CR-T

Engine power 32,3 kW - 43,9 HP

Operating Weight 4.050 - 4.200 kg

 **EUROCOMACH®**

42zT

Operating weight with canopy (with rubber tracks)	kg	4.050
Operating weight with cabin (with rubber tracks)	kg	4.200
Travelling speed (AUTO TWO SPEED)	km/h	1a: 0 ÷ 2,6 / 2a: 0 ÷ 4,5
Slew speed	rpm	10,5

ENGINE		
Type	KUBOTA D1803-CR-T - STAGE 5	
Max Power (2.200 rpm)	kW - HP	32,3 - 43,9
Displacement	cc	1.826
Number of cylinders	n°	3
Cooling	water	
Consumption	lt/h	5,4
Alternator	V (A)	12 (60)
Battery	V (Ah)	12 (75)

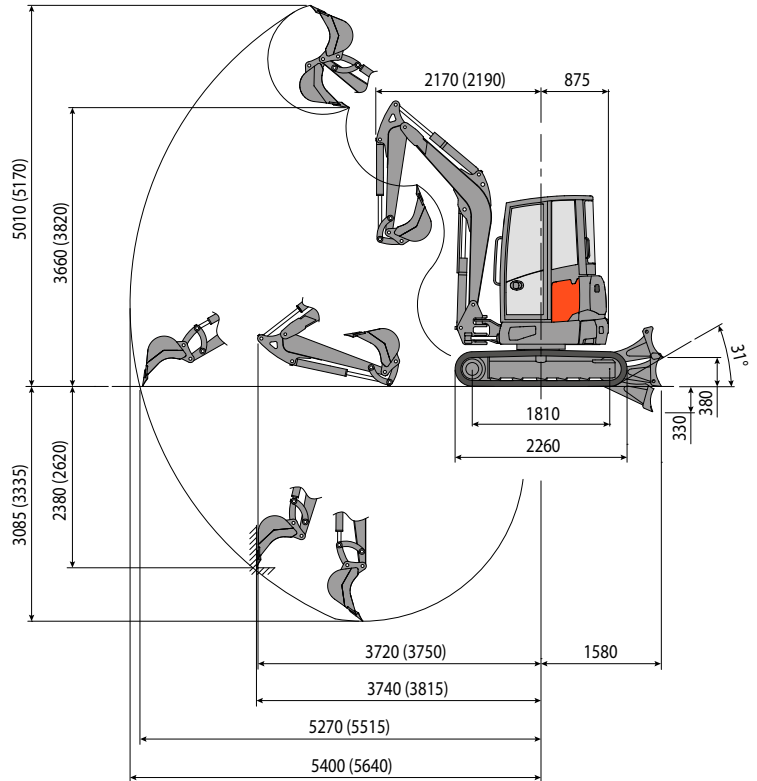
HYDRAULIC SYSTEM		
Circuit Type	load sensing closed center system with flow sharing control valve	
Pump type	1 LS ELECTRONIC variable pump + 1 gear pump	
Pump displacement	cc	53 + 11
Pump capacity	lt/min	115 + 24
Max. circuit calibration pressure	bar	280
Auxiliary Flow (max pressure):	lt/min (bar)	
AUX 1 main high flow simple or double effect		60 (200)
AUX 2 double effect (optional)		40-30 (280)

PERFORMANCES		
Max digging depth with standard arm (optional arm)	mm	3.085 (3.335)
Max dumping height with standard arm (optional arm)	mm	3.660 (3.820)
Bucket breaking force (standard arm) ISO 6015	daN	4.300
Arm breaking force (standard arm) ISO 6015	daN	2.200
Traction force	daN	4.260
Ground bearing pressure with rubber tracks and canopy (with cabin)	kg/cm ²	0,29 (0,30)
Max slope	60% - 30°	

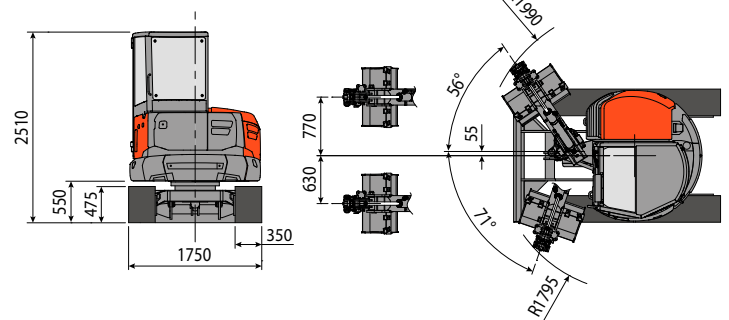
DIMENSIONS		
Maximum width	mm	1.750
Total height	mm	2.510
Rear rotation radius	mm	875
Digging arm length std (optional)	mm	1.400 (1.650)
Tracks width	mm	350
Rollers number (for each side)	n°	5/1

FILLINGS		
Fuel tank	lt	60
Hydraulic oil tank	lt	50
Hydraulic circuit capacity	lt	65
Cooling system capacity	lt	9
Engine oil	lt	7

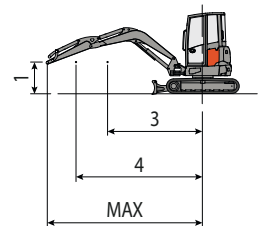
CONTROLS	
Boom, dipper stick, bucket and turret swing	2 pilot joysticks
Tracks movement (included counter rotation)	2 pilot levers
Dozer blade	pilot lever
Auxiliary circuit (simple or double effect)	electroproportional switch on right joystick
Boom swing	electroproportional switch on left joystick



Standard dipper stick L=1.400
(Optional dipper stick L=1.650)



LIFTING CAPACITY			
Opening arm from the rotation's center (m)			
Lifting capacity (kg) at 1.0 m height			
	3	4	MAX
Frontal and lowered dozer blade	1.620	1.150	1.030
Frontal and lifted dozer blade	1.040	680	540
Lateral	680	450	360



The lifting capacity is based on the ISO 10567 and it does not exceed more than the 75% of static tipping load or more than the 87% of the hydraulic lifting capacity of the machine.

 **EUROCOMACH**

These pictures may include optional rather than standard settings. Technical features are not binding and may be modified without notice in any moment.